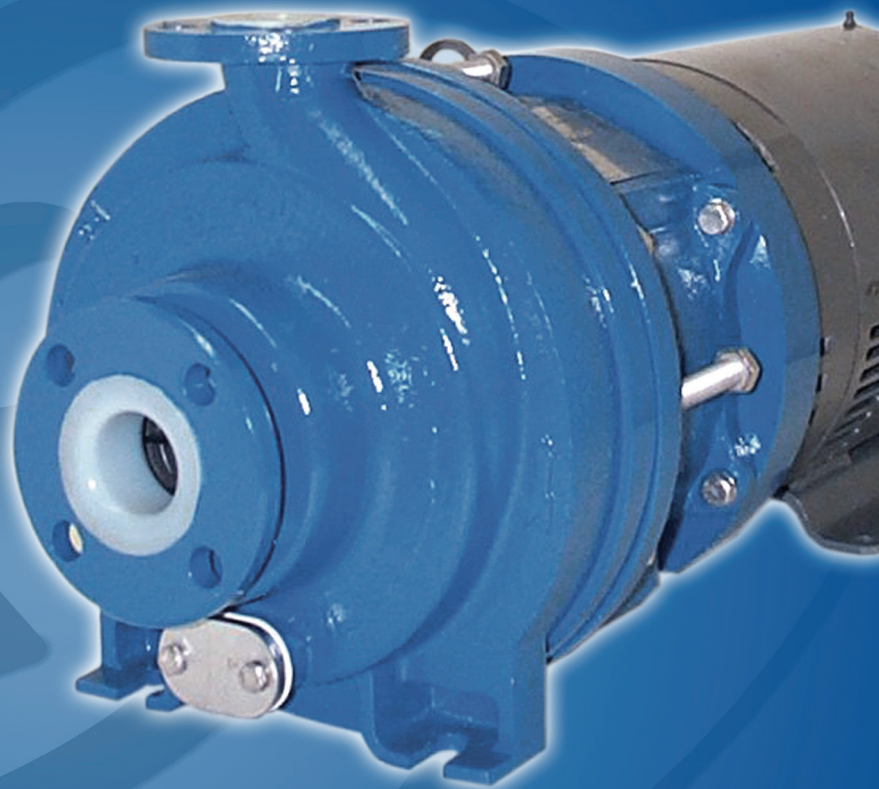


ANSI DIMENSIONAL MAGNETIC DRIVE PUMPS

ULTRACHem[®]

Engineered for
EXTREME reliability
in chemical
processes.



FINISH THOMPSON INC.

Introduction

Ultra Reliable

Engineered for extreme reliability in the most extreme chemical processing applications, Finish Thompson's ULTRAChem® is a magnetically driven, ANSI dimensional pump constructed from tough ductile iron with DuPont Tefzel® (ETFE) lining for superior corrosion resistance.

Ultra Durable

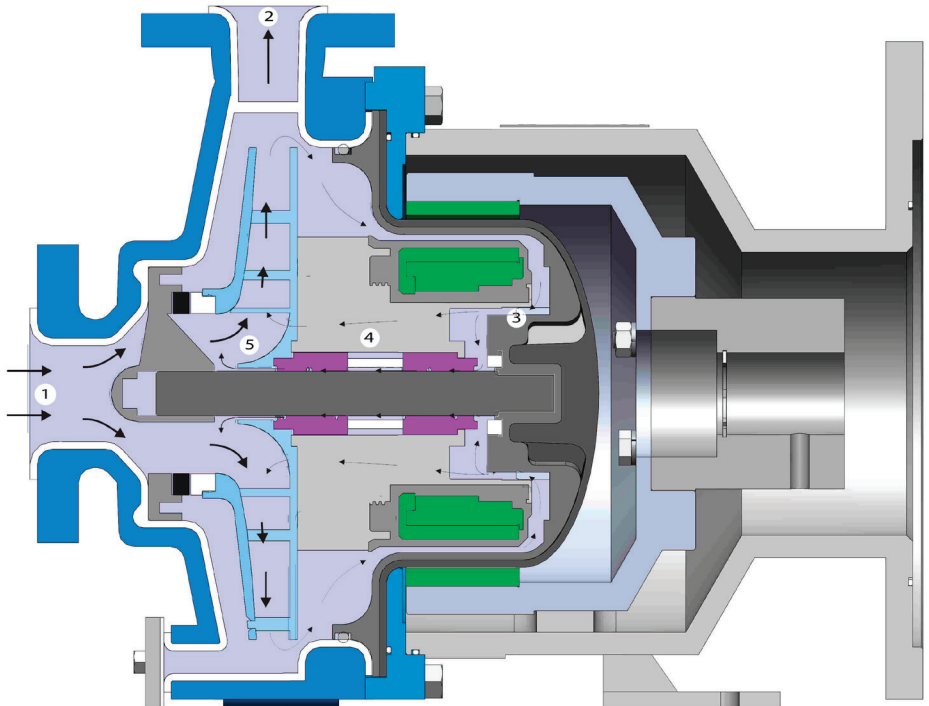
Modified concentric volute or partial splitter, minimized hydraulic radial thrust loads, balanced hydraulic axial thrust loads, prevention of "pre-rotation" under low flows, reduced turbulence on the impeller, and optimum bushing alignment ... these are just some of the features designed into the ULTRAChem Series pumps to ensure optimum pump life.

Ultra Sealless

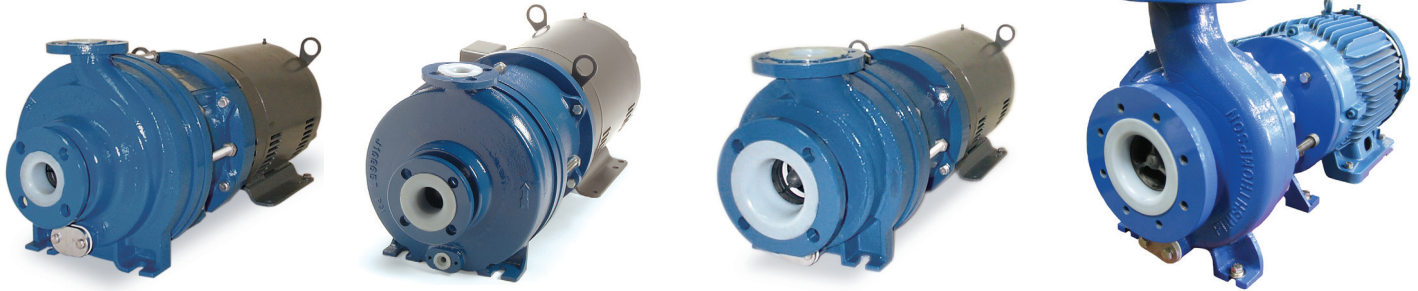
Powerful neodymium magnets drive the impeller through a carbon-filled ETFE lined barrier for dependable, leak-free operation with no environmental emissions, no double mechanical seal costs, and no seal support systems.

ULTRAChem® Circulation & Thrust Minimization

As the liquid flows through the suction and into the impeller (1), it accelerates to a high velocity and is pressurized, exiting the discharge (2). A small portion of the flow is re-directed to the rear of the impeller drive where it proceeds through the rear sealing ring (3), which minimizes axial impeller thrust. The flow then goes both around the bushings and through the spiral grooves in the bore of bushings (4) in order to enhance the flow, remove heat, and provide lubrication between the shaft and bushing bore, before emptying back into the impeller suction eye (5).



Tefzel® is a registered trademark of E. I. duPont de Nemours and Company.

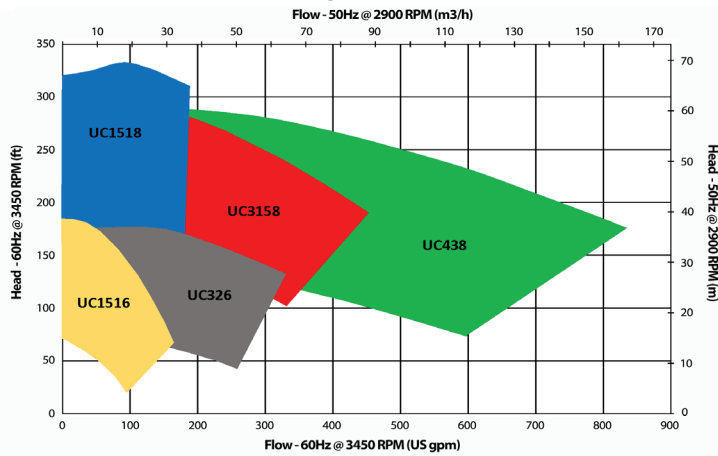


Model	Flange in.	Maximum Flow gpm (m ³ /h)	Maximum Head ft (m)	Maximum Power* hp (kW)	Maximum Viscosity cP	Maximum Specific Gravity	Maximum Temperature °F (°C)*	Maximum Working Pressure psi (bar)
UC1516	1.5 x 1 x 6	160 (37)	180 (55)	20 (15)	200	1.8	250 (121)	175 (12)
UC1518	1.5 x 1 x 8	160 (37)	325 (100)	20 (15)	200	1.8	250 (121)	175 (12)
UC326	3 x 2 x 6	330 (75)	165 (50)	20 (15)	200	1.8	250 (121)	175 (12)
UC3158	3 x 1.5 x 8	447 (101)	290 (88)	75 (55)	200	1.8	250 (121)	300 (20.7)
UC438	4 x 3 x 8	825 (187)	290 (88)	75 (55)	200	1.8	250 (121)	300 (20.7)

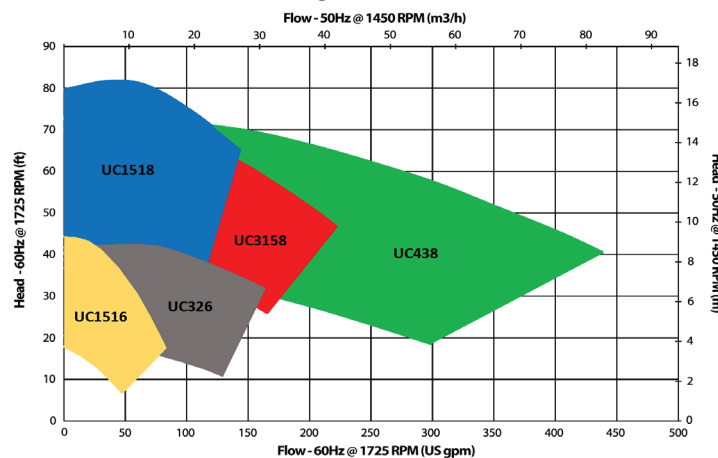
NOTE: Max. flow and head calculated at 3500 rpm. HP calculated at 3500 rpm. kW calculated at 2900 rpm.

*Except E magnet set: maximum 220° F (104° C)

UC Coverage Curve 3450/2900 RPM



UC Coverage Curve 1725/1450 RPM



CAPABILITIES

- Casing:** ANSI/ASME B73.1m
- Max. Working Pressure:** to 300 psi (20 Bar)
- Max. Temp.:** 250°F (121°C)
- Max. Viscosity:** 200 cP
- Specific Gravity:** over 1.8
- Flanges:** ANSI or ISO
- Casing:** ANSI/ASME B73.1m
- Motor Frames:**
 - NEMA: 143 through 365
 - IEC: 90 through 225

TYPICAL APPLICATIONS

- Chemical manufacturing, blending, distribution
- Water treatment
- Plating and metal finishing
- Paper mills
- Fume scrubbers
- Metals manufacturing
- Electronics
- Pharmaceuticals
- Biodiesel

TYPICAL CHEMICALS

- Sodium hydroxide, sulfuric acid, hydrochloric acid, sodium hypochlorite, plating solutions, corrosive blends, wastewater, solvents

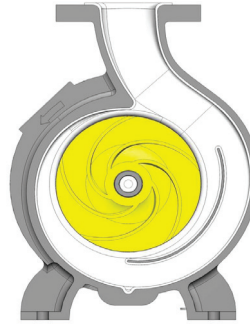
Exploded View

Modified Concentric Volute



Both the **modified concentric volute** and **partial splitter** minimize radial loads and distribute pressure evenly across the entire flow range for less stress and wear on components. Casing meets ANSI B73.1 dimensional requirements for foot and flange.

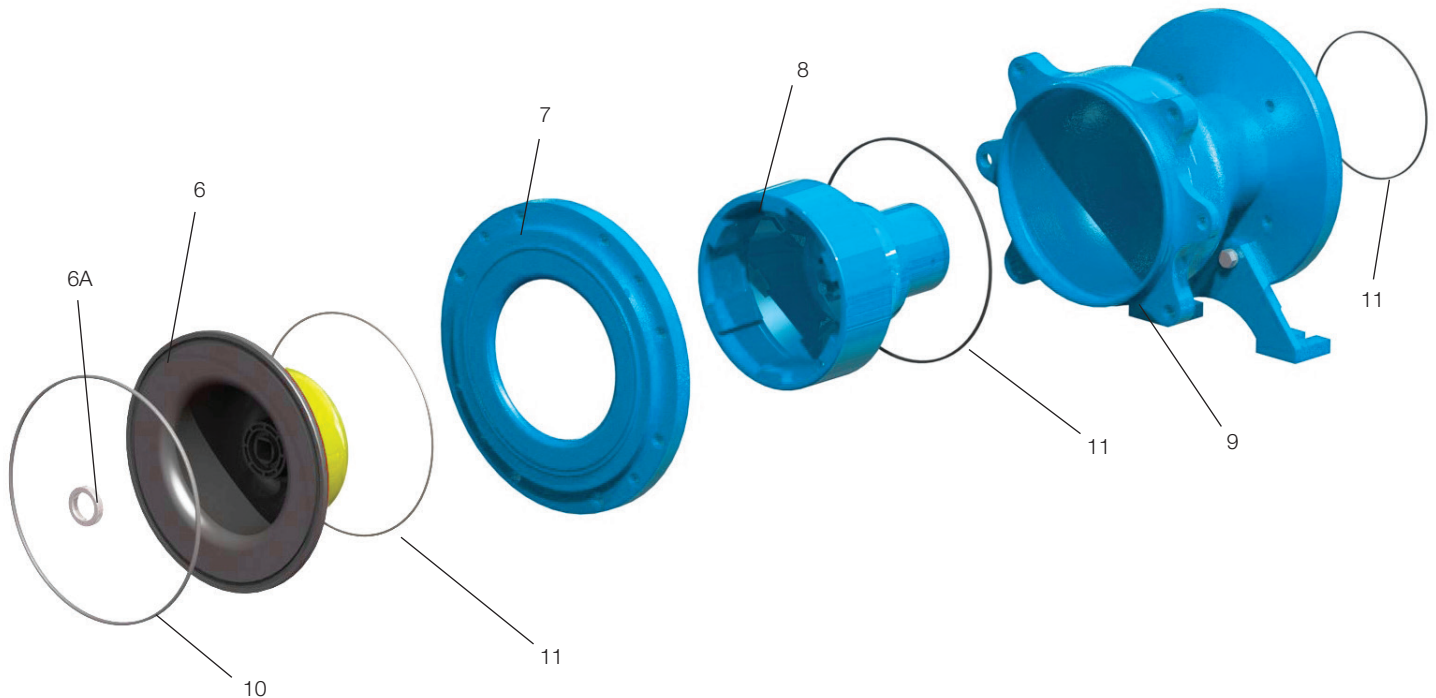
Partial Splitter



4C	Rear Sealing Ring	Molybdenum disulfide filled PTFE
5	Shaft	Replaceable alpha sintered silicon carbide (Dri-coat alpha sintered silicon carbide optional)
6	Barrier	Molded CFR-ETFE liner with woven glass-filled vinyl ester or aramid external shell
6A	Rear Thrust Ring	High purity ceramic or alpha sintered silicon carbide
7	Clamp Ring	Steel
8	Drive Assembly	Nickel-plated neodymium iron boron magnets/ heavy duty ductile iron.
9	Motor Adapter	Heavy duty ductile iron.
10	O-ring	FKM, EPDM, Kalrez®, Simriz®
11	Vapor Protection	Buna

Item	Description	Construction Features
1	Casing	Cast ductile iron lined with DuPont Tefzel®
2	Shaft Support	Carbon-filled ETFE
2A	Front thrust ring	Alpha sintered silicon carbide
3	Impeller Assembly	Enclosed impeller injection molded from carbon fiber reinforced ETFE
3A	Impeller thrust ring	Fluorosint® or alpha sintered silicon carbide
4	Impeller Drive Hub	Carbon fiber-filled ETFE with neodymium iron boron magnets
4A	Bushings	Alpha sintered silicon carbide bushings (Carbon bushing or dri-coat alpha sintered silicon carbide bushing optional)

Kalrez® is a registered trademarks of DuPont Performance Elastomers.
 Simriz® Perfluoroelastomer is a registered trademark of the Simrit® division of Freudenberg-NOK.
 Fluorosint® is a registered trademark of Quadrant DSM Engineering Plastic Products.



Casing (1, 2, 2A, 10)

High strength ductile iron bonded with pure Tefzel® for exceptional corrosion resistance. ANSI dimensional design with self-venting top center line discharge. Premium alpha sintered silicon carbide thrust washer and replaceable carbon-filled ETFE shaft support with integral straightening vanes help prevent pre-rotation in the suction and enhance low flow operation.

Impeller and Internal Drive (3, 3A, 4, 4C)

Enclosed impeller is injection molded from carbon fiber reinforced ETFE for superior chemical resistance and strength. Versatile lock-fit design allows removal of the impeller from the internal drive for lower maintenance costs. Rare earth magnets are encapsulated in CFR-ETFE for added protection against the most aggressive chemicals. The thrust balance system utilizes generous balance holes and a replaceable rear sealing ring with the same diameter as the impeller thrust ring to balance axial thrust. A replaceable Fluorosint® or alpha sintered silicon carbide impeller thrust ring provides exceptional wear characteristics at all flows.

Magnets (4, 8)

High strength, rare earth neodymium iron boron magnets transmit maximum power up to 250°F (121°C). FTI's unique technology ensures an extraordinarily strong, secure coupling between the motor and pump. Sealless design virtually eliminates maintenance and environmental emissions.

Dual Bushings (4A)

Replaceable alpha sintered silicon carbide bushings ride evenly on the shaft and distribute radial load over the entire length of the shaft. The self-aligning design eliminates premature wear caused by bushing misalignment. Internal spiral grooves help flush and lubricate the shaft during operation. Optional carbon or dri-coat alpha sintered silicon carbide bushings allows run dry capability.

Shaft (5)

A replaceable premium alpha sintered silicon carbide or dri-coat alpha sintered silicon carbide shaft is shaped to minimize stress concentrations. Shaft is fully supported on both ends for maximum strength.

Barrier (6, 6A, 12)

A precision molded, carbon-filled ETFE liner and external containment shell of woven glass-reinforced vinyl ester or aramid make up the barrier assembly, providing optimum chemical and pressure resistance. The nonmetallic design eliminates energy losses due to eddy currents from the magnetic coupling. The barrier contains a high purity ceramic or alpha sintered silicon carbide rear thrust ring for maximum durability. A fully contained o-ring provides a leak-proof seal.

Clamp Ring (7)

A machined steel clamp ring provides a precise fit between barrier and casing to minimize barrier stress and deflection under pressure for maximum operating reliability. It separates the liquid end from the motor allowing the motor to be removed without opening the liquid end.

Drive Assembly, Motor Adapter (8, 9)

Drive assembly and motor adapter are made of high strength ductile iron for added mechanical strength and stiffness. The outer drive is dynamically balanced to ensure smooth operation and reliability. Easy set outer drive feature ensures optimum magnet alignment and easy motor installation. An optional bronze bump ring is added to the motor adapter for explosionproof environments and in ATEX certified models. Multiple motor adapters allow the pump to be mounted to a wide array of NEMA and IEC motors.

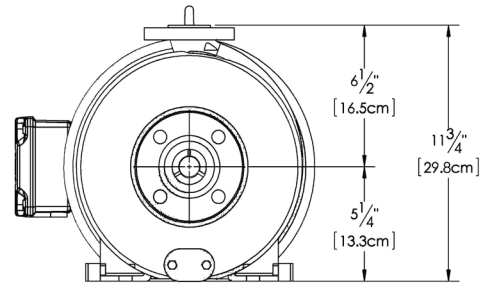
Vapor Protection (11)

All pumps come with FTI's exclusive vapor protection package to protect the outer magnetic drive (8) and motor face from corrosive fumes.

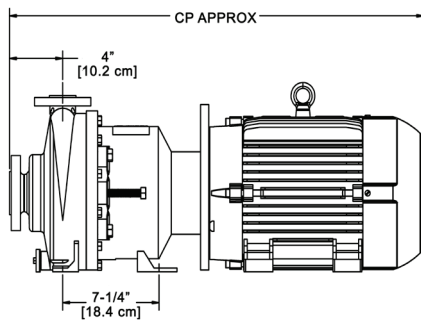
UC Series 1516, 1518, 326 Dimensions

Motor Frames	CP (approx.)*	
	(in)	(cm)
NEMA		
143-145TC	23-17/32	59.8
182/184TC	28-3/32	71.3
213/215TC	31-5/32	79.1
254/256TC	34-9/32	81.7
IEC		
90	23-19/32	59.9
100/112	25-1/32	63.6
132	31-3/32	79
160	34-27/32	88.5

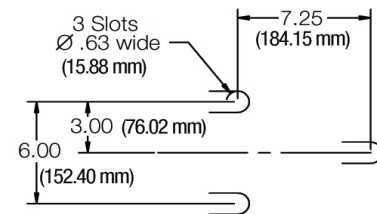
FRONT VIEW - All Models



SIDE VIEW - All Models



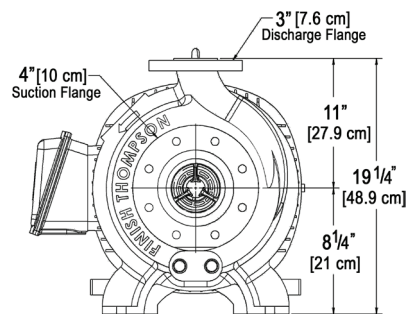
BOTTOM VIEW - All Models



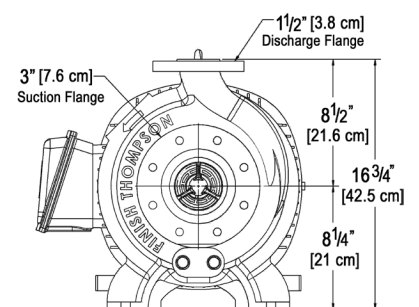
UC Series 3158, 438 Dimensions

Motor Frames	CP (approx.)*	
	(in)	(cm)
NEMA		
143-145TC	27-11/16	70.3
182/184TC	29-9/16	75.1
213/215TC	32-5/8	82.9
254/256TC	37-1/2	95.3
282/284TC/TSC	39-27/32	101.2
324/326TC/TSC	44-21/32	113.4
364/365TC/TSC	46-27/32	119.0
IEC		
90	27-15/32	69.8
100/112	28-29/32	73.4
132	32-9/16	82.7
160	38-9/32	97.2
180	40-9/16	103
200	43-3/32	109.5
225	46-21/32	118.5

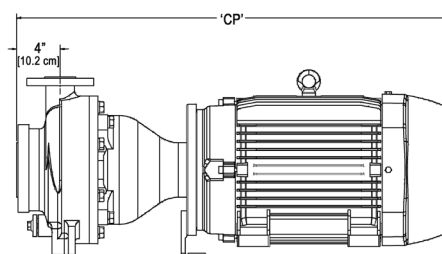
FRONT VIEW - UC438



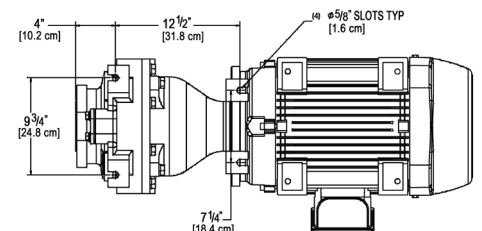
FRONT VIEW - UC3158



SIDE VIEW - All Models

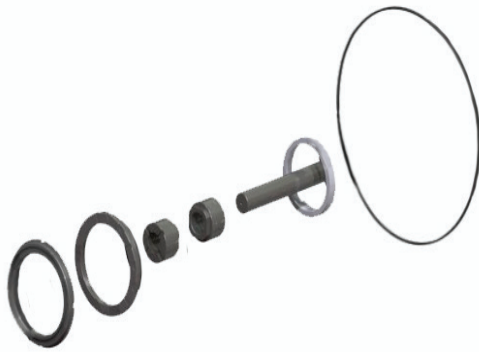


BOTTOM VIEW - All Models



Note: For additional dimensions, please refer to outline dimensional drawings for all models located on our website.

Replaceable Wear Parts



All wear parts are made from highly corrosion resistant materials and are able to withstand repeated use in chemical applications. They are easily field replaceable.

Contact Finish Thompson for more information.

Replaceable Wear Parts:

- Shaft
- O-ring
- Rear Sealing Ring
- Bushings
- Front Thrust Ring
- Impeller Thrust Ring

UC Accessories



Available in: 3 phase 440-500 VAC; 3 phase 220-240 VAC; 3 phase 380-420 VAC and 3 phase 525-690 VAC

Digital Power Monitor

A power monitor is valuable insurance for pumps with silicon carbide bushings which lack run dry ability.

The device is programmed to use the pump's motor as a sensor. It measures the pump motor input power and calculates motor power loss using a unique algorithm. It monitors the power used only by the pump and eliminates losses in the motor. This results in precise motor shaft power measurement.

What does all this mean? Simply that the power monitor almost instantly senses the drop in power when a pump runs dry and quickly shuts the pump down before damage can occur. FTI power monitors are compact, user friendly, and easy to install and operate.

Dri-Coat Option

For use on all UC Series pump models with sintered silicon carbide bushings and shafts.

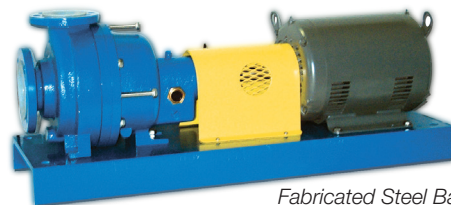
SiC Dri-Coat is applied to a sintered silicon carbide bushing and shaft to permit brief periods of dry running without damage to the pump.



UC with Long-Coupled Bearing Frame

Utilizes pump bearing frame and flex coupling between pump and motor.

- Mounts to any UC Series mag drive
- Allows use of alternative drives such as non-C face, DC, air, pulley or hydraulic



Fabricated Steel Baseplate



Bronze Bump Ring

When added to the motor adapter, this option provides a non-sparking surface making the pump suitable for applications in hazardous areas. With this option the pump is ATEX certified and meets the requirements of Group II, Category 2 equipment.



UltraChem[®] - *Extreme* Reliability in
Extreme Chemical Applications



*Having trouble selecting a pump?
Try our handy online pump selector at www.finishthompson.com.*



FINISH THOMPSON INC.

921 Greengarden Road • Erie, PA 16501-1591 U.S.A.

Ph 814-455-4478 • Fax 814-455-8518

Email fti@finishthompson.com • www.finishthompson.com

