

T8

Original™ Series **METAL** Pumps

EOM

Engineering
Operation &
Maintenance



Simplify your process

TURBO-FLO™
PROGRESSIVE PUMP TECHNOLOGY

WILDEN®

A **DOVER** COMPANY



WIL-10272-E-01

TABLE OF CONTENTS

SECTION 1 CAUTIONS—READ FIRST!1

SECTION 2 WILDEN PUMP DESIGNATION SYSTEM2

SECTION 3 HOW IT WORKS—PUMP & AIR DISTRIBUTION SYSTEM3

SECTION 4 DIMENSIONAL DRAWINGS4

SECTION 5 PERFORMANCE

 A. T8 Metal Performance Curves

 Rubber-Fitted6

 TPE-Fitted6

 PTFE-Fitted7

 Stallion Ultra-Flex™-Fitted7

 Stallion TPE-Fitted8

 B. Suction Lift Curves9

SECTION 6 SUGGESTED INSTALLATION, OPERATION & TROUBLESHOOTING10

SECTION 7 DISASSEMBLY / REASSEMBLY13

 Air Valve/Center Section Repair/Maintenance16

 Reassembly Hints & Tips18

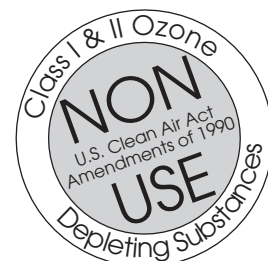
 Gasket Installation18

SECTION 8 EXPLODED VIEW AND PARTS LISTING

 T8 Metal Rubber/TPE-Fitted20

 T8 Metal PTFE-Fitted24

SECTION 9 ELASTOMER OPTIONS26



CAUTIONS—READ FIRST!



TEMPERATURE LIMITS:

Neoprene	-17.8°C to 93.3°C	0°F to 200°F
Buna-N	-12.2°C to 82.2°C	10°F to 180°F
EPDM	-51.1°C to 137.8°C	-60°F to 280°F
Viton®	-40°C to 176.7°C	-40°F to 350°F
Wil-Flex™	-40°C to 107.2°C	-40°F to 225°F
Polyurethane	12.2°C to 65.6°C	10°F to 150°F
Saniflex™	-28.9°C to 104.4°C	-20°F to 220°F
PTFE	4.4°C to 104.4°C	40°F to 220°F
Fluoro-Seal™	-40°C to 232°C	-40°F to 450°F



CAUTION: When choosing pump materials, be sure to check the temperature limits for all wetted components. Example: Viton® has a maximum limit of 176.7°C (350°F) but polypropylene has a maximum limit of only 79°C (175°F).



CAUTION: Maximum temperature limits are based upon mechanical stress only. Certain chemicals will significantly reduce maximum safe operating temperatures. Consult engineering guide for chemical compatibility and temperature limits.



CAUTION: Always wear safety glasses when operating pump. When diaphragm rupture occurs, material being pumped may be forced out air exhaust.



WARNING: Prevention of static sparking — If static sparking occurs, fire or explosion could result. Pump, valves, and containers must be properly grounded when handling flammable fluids and whenever discharge of static electricity is a hazard.



CAUTION: Do not exceed 8.6 bar (125 psig) air supply pressure. (3.4 bar [50 psig] on UL models.)



CAUTION: Before any maintenance or repair is attempted, the compressed air line to the pump should be disconnected and all air pressure allowed to bleed from pump. Disconnect all intake, discharge and air lines. Drain the pump by turning it upside down and allowing any fluid to flow into a suitable container.



CAUTION: Blow out air line for 10 to 20 seconds before attaching to pump to make sure all pipe line debris is clear. Use an in-line air filter. A 5µ (micron) air filter is recommended.



NOTE: When installing PTFE diaphragms, it is important to tighten outer pistons simultaneously (turning in opposite directions) to ensure tight fit.



WARNING: Tighten all clamp bands and retainers prior to installation. Fittings may loosen during transportation.



NOTE: Before starting disassembly, mark a line from each liquid chamber to its corresponding air chamber. This line will assist in proper alignment during reassembly.



CAUTION: Verify the chemical compatibility of the process and cleaning fluid to the pump's component materials in the Chemical Resistance Guide (see E4).



CAUTION: When removing the end cap using compressed air, the air valve end cap may come out with considerable force. Hand protection such as a padded glove or rag should be used to capture the end cap.



NOTE: All non lube-free air-operated pumps must be lubricated. Wilden suggests an arctic 5 weight oil (ISO grade 15). Do not over-lubricate pump. Over-lubrication will reduce pump performance.



NOTE: UL-listed pumps must not exceed 3.4-bar (50 psig) air supply pressure.



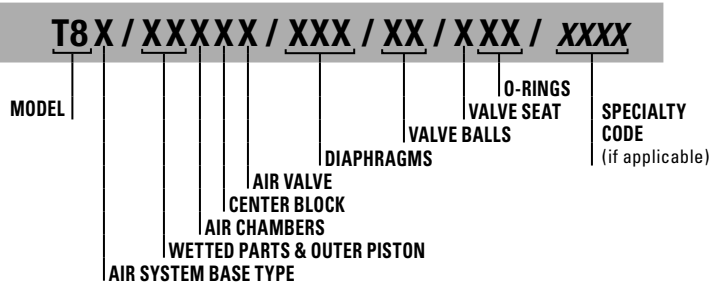
CAUTION: Only explosion proof (NEMA 7) solenoid valves should be used in areas where explosion proof equipment is required.

PUMP DESIGNATION SYSTEM

**T8 ORIGINAL™
METAL**

**51 mm (2") Pump
Maximum Flow Rate:
617 lpm (163 gpm)**

LEGEND



MATERIAL CODES

MODEL

T8 = 51 MM (2")

WETTED PARTS & OUTER PISTON

AA = ALUMINUM / ALUMINUM
WW = CAST IRON / CAST IRON

AIR CHAMBERS

A = ALUMINUM

CENTER BLOCK

A = ALUMINUM
P = POLYPROPYLENE

AIR VALVE

B = BRASS

DIAPHRAGMS

BNS = BUNA-N (Red Dot)
BNU = BUNA-N, ULTRA-FLEX™
EPS = EPDM (Blue Dot)
EPU = EPDM, ULTRA-FLEX™
FSS = SANIFLEX™ [Hytre® (Cream)]
NES = NEOPRENE (Green Dot)
NEU = NEOPRENE, ULTRA-FLEX™
PUS = POLYURETHANE (Clear)
TEU = PTFE W/EPDM BACK-UP (White)
TNU = PTFE W/NEOPRENE BACK-UP (White)
TSU = PTFE W/SANIFLEX™ BACK-UP (White)
VTS = VITON® (White Dot)
VTU = VITON®, ULTRA-FLEX™
WFS = WIL-FLEX™ [Santoprene® (Orange Dot)]
XBS = CONDUCTIVE BUNA-N (Two Red Dots)

VALVE BALL

BN = BUNA-N (Red Dot)
FS = SANIFLEX™ [Hytre® (Cream)]
FV = SANITARY VITON® (Two White Dots)
EP = EPDM (Blue Dot)
NE = NEOPRENE (Green Dot)
PU = POLYURETHANE (Brown)
TF = PTFE (White)
VT = VITON® (White Dot)
WF = WIL-FLEX™ [Santoprene® (Orange Dot)]

VALVE SEAT

A = ALUMINUM*
BN = BUNA-N (Red Dot)
EP = EPDM (Blue Dot)
FS = SANIFLEX™ [Hytre® (Cream)]
H = ALLOY C*
M = MILD STEEL*
NE = NEOPRENE (Green Dot)
PU = POLYURETHANE (Clear)
S = STAINLESS STEEL*
VT = VITON® (White Dot)
WF = WIL-FLEX™ [Santoprene® (Orange Dot)]
*Valve seat o-ring required.

VALVE SEAT O-RING

FS = FLUORO-SEAL™
TF = PTFE (White)

SPECIALTY CODES

- | | |
|--|---|
| 0014 BSPT | 0051 Stallion®, BSPT |
| 0030 Screen based | 0052 Stallion®, spark free |
| 0033 Screen based, spark free | 0053 Stallion®, footed, BSPT |
| 0036 Screen based, BSPT | 0054 Stallion®, footed |
| 0037 Screen based, spark free, BSPT | 0055 Stallion®, spark free, BSPT |
| 0039 Screen based, polyurethane screen | 0112 Stallion®, footed, spark free, without handles |
| 0044 Stallion®, balls & seats ONLY | 0113 Stallion®, internals, spark free, BSPT |
| 0045 Stallion®, shaft & bumpers ONLY | 0115 Stallion®, footed, spark free, BSPT, without handles |
| 0046 Stallion®, internals, BSPT | 0116 Stallion®, BSPT, without handles |
| 0048 Stallion®, internals | 0117 Stallion®, footed, BSPT, without handles |
| 0049 Stallion®, aluminum screen base | 0231 Stallion®, externals (screen & handles) |
| 0050 Stallion® | 0233 Stallion®, externals (screen & handles), BSPT |

NOTE: MOST ELASTOMERIC MATERIALS USE COLORED DOTS FOR IDENTIFICATION.

Viton® is a registered trademarks of DuPont Dow Elastomers.

HOW IT WORKS—PUMP DISTRIBUTION SYSTEM

The Wilden diaphragm pump is an air-operated, positive displacement, self-priming pump. These drawings show the flow pattern through the pump upon its initial stroke. It is assumed the pump has no fluid in it prior to its initial stroke.

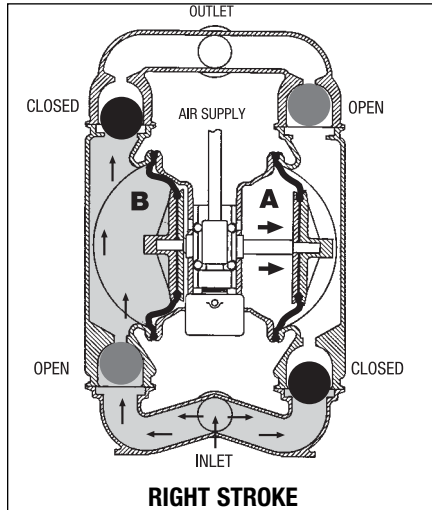


FIGURE 1 The air valve directs pressurized air to the back side of diaphragm A. The compressed air is applied directly to the liquid column separated by elastomeric diaphragms. The diaphragm acts as a separation membrane between the compressed air and liquid, balancing the load and removing mechanical stress from the diaphragm. The compressed air moves the diaphragm away from the center block of the pump. The opposite diaphragm is pulled in by the shaft connected to the pressurized diaphragm. Diaphragm B is on its suction stroke; air behind the diaphragm has been forced out to the atmosphere through the exhaust port of the pump. The movement of diaphragm B toward the center block of the pump creates a vacuum within chamber B. Atmospheric pressure forces fluid into the inlet manifold forcing the inlet valve ball off its seat. Liquid is free to move past the inlet valve ball and fill the liquid chamber (see shaded area).

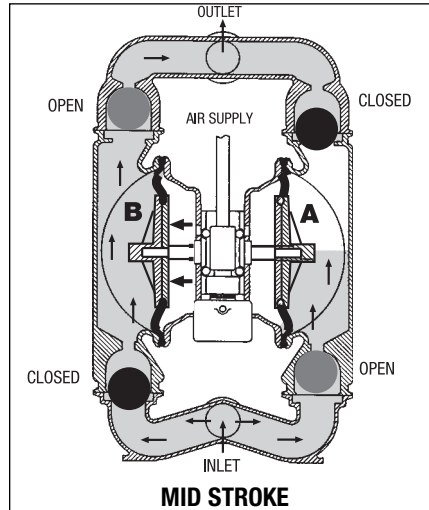


FIGURE 2 When the pressurized diaphragm, diaphragm A, reaches the limit of its discharge stroke, the air valve redirects pressurized air to the back side of diaphragm B. The pressurized air forces diaphragm B away from the center block while pulling diaphragm A to the center block. Diaphragm B is now on its discharge stroke. Diaphragm B forces the inlet valve ball onto its seat due to the hydraulic forces developed in the liquid chamber and manifold of the pump. These same hydraulic forces lift the discharge valve ball off its seat, while the opposite discharge valve ball is forced onto its seat, forcing fluid to flow through the pump discharge. The movement of diaphragm A toward the center block of the pump creates a vacuum within liquid chamber A. Atmospheric pressure forces fluid into the inlet manifold of the pump. The inlet valve ball is forced off its seat allowing the fluid being pumped to fill the liquid chamber.

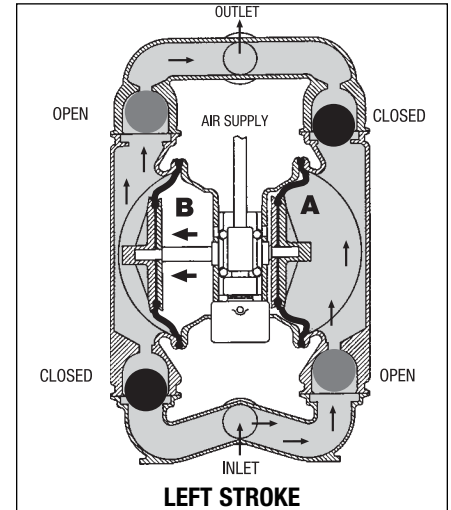
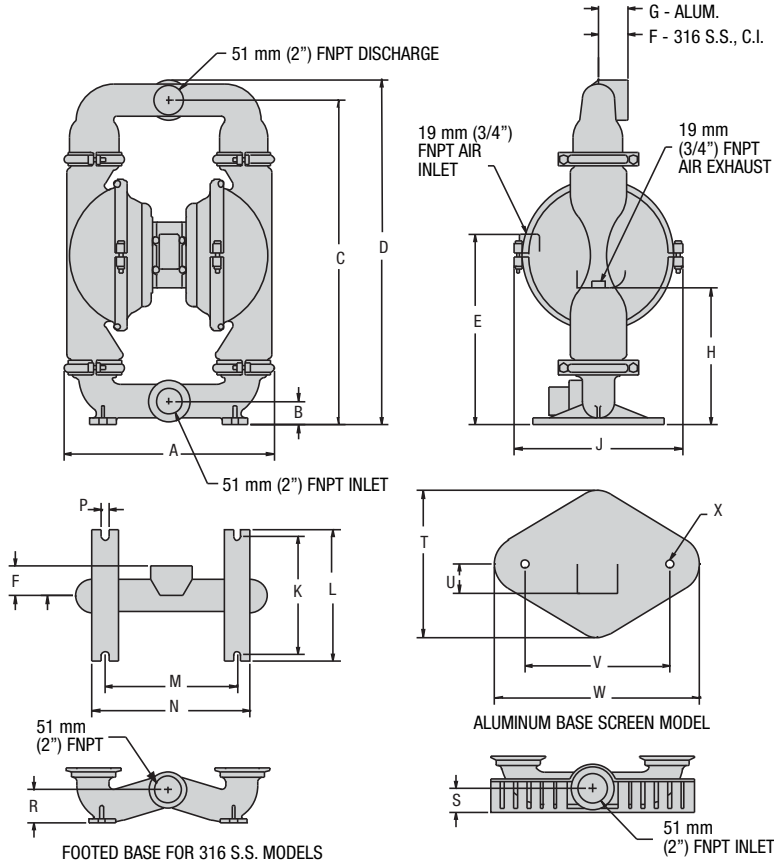


FIGURE 3 At completion of the stroke, the air valve again redirects air to the back side of diaphragm A, which starts diaphragm B on its exhaust stroke. As the pump reaches its original starting point, each diaphragm has gone through one exhaust and one discharge stroke. This constitutes one complete pumping cycle. The pump may take several cycles to completely prime depending on the conditions of the application.

DIMENSIONAL DRAWING

T8 Metal



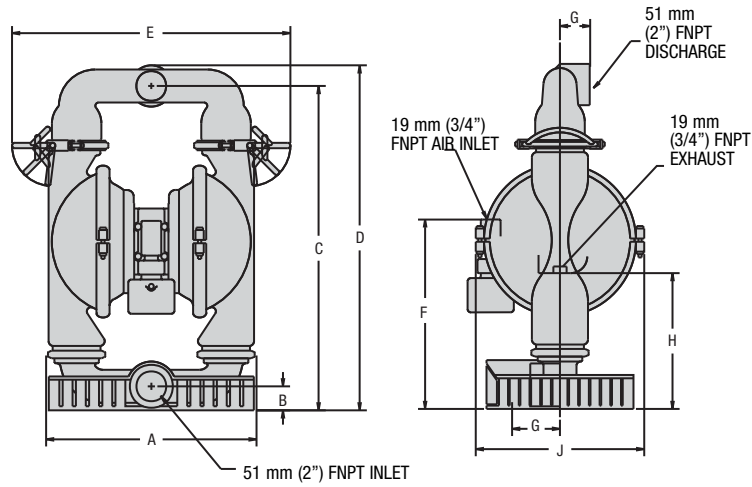
DIMENSIONS

ITEM	METRIC (mm)	STANDARD (inch)
A	404	15.9
B	48	1.9
C	630	24.8
D	668	26.3
E	361	14.2
F	58	2.3
G	61	2.4
H	272	10.7
J	343	13.5
K	229	9.0
L	254	10.0
M	257	10.1
N	312	12.3
P	15	0.6
R	64	2.5
S	51	2.0
T	282	11.1
U	71	2.8
V	282	11.1
W	386	15.2
X	Ø15	Ø0.6

BSP threads available.

DIMENSIONAL DRAWING

T8 Metal Stallion®



DIMENSIONS

ITEM	METRIC (mm)	STANDARD (inch)
A	409	16.1
B	46	1.8
C	625	24.6
D	666	26.2
E	610	24.0
F	376	14.8
G	61	2.4
H	264	10.4
J	345	13.6
K	282	11.1
L	279	11.0
M	Ø15	Ø0.6

BSP threads available

PERFORMANCE

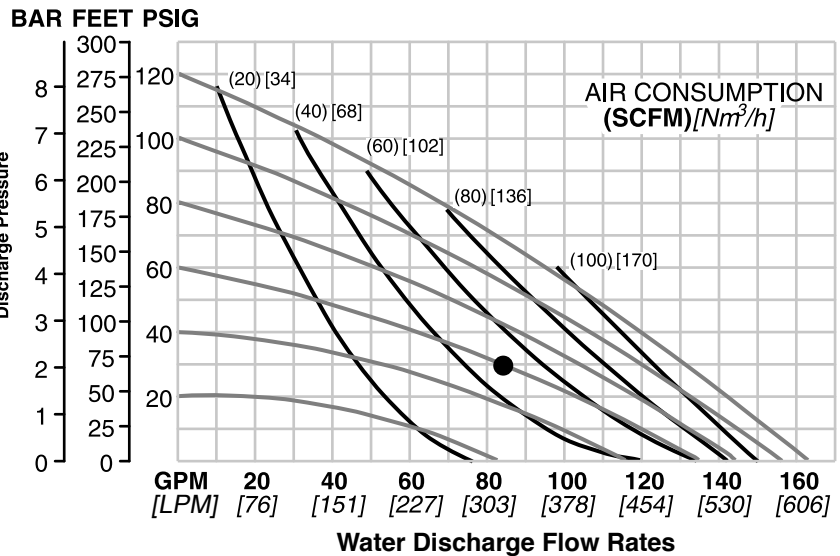
**T8 METAL
RUBBER-FITTED**

Height..... 668 mm (26.3")
 Width..... 404 mm (15.9")
 Depth 343 mm (13.5")
 Est. Ship Weight..... Aluminum 33 kg (72 lbs)
 Cast Iron 52 kg (114 lbs)
 Air Inlet..... 19 mm (3/4")
 Inlet..... 51 mm (2")
 Outlet 51 mm (2")
 Suction Lift 6.4 m Dry (21')
 9.5 m Wet (31')
 Displacement/Stroke 2.69 l (0.71 gal.)¹
 Max. Flow Rate..... 617 lpm (163 gpm)
 Max. Size Solids 6.4 mm (1/4")

¹Displacement per stroke was calculated at 4.8 bar (70 psig) air inlet pressure against a 2 bar (30 psig) head pressure.

Example: To pump 318 lpm (84 gpm) against a discharge pressure head of 2.1 bar (30 psig) requires 4.1 bar (60 psig) and 85 Nm³/h (50 scfm) air consumption. (See dot on chart.)

Caution: Do not exceed 8.6 bar (125 psig) air supply pressure.



Flow rates indicated on chart were determined by pumping water.

For optimum life and performance, pumps should be specified so that daily operation parameters will fall in the center of the pump performance curve.

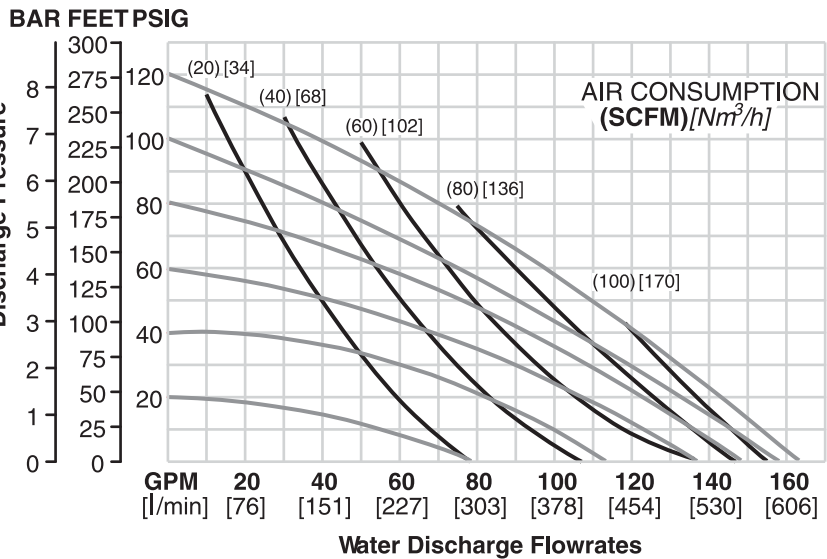
**T8 METAL
TPE-FITTED**

Height..... 668 mm (26.3")
 Width..... 404 mm (15.9")
 Depth 343 mm (13.5")
 Ship Weight Aluminum 33.1 kg (72 lbs.)
 Cast Iron 52.4 kg (114 lbs.)
 316 Stainless Steel 48.8 kg (106 lbs.)
 Alloy C 53.4 kg (116 lbs.)
 Air Inlet..... 19 mm (3/4")
 Inlet..... 51 mm (2")
 Outlet 51 mm (2")
 Suction Lift 6.1 m Dry (20')
 9.5 m Wet (31')
 Displacement/Stroke 2.80 L (0.74 gal.)¹
 Max. Flow Rate..... 613 lpm (162 gpm)
 Max. Size Solids 6.4 mm (1/4")

¹Displacement per stroke was calculated at 4.8 bar (70 psig) air inlet pressure against a 2 bar (30 psig) head pressure.

Example: To pump 341 lpm (90 gpm) against a discharge pressure head of 2.1 bar (30 psig) requires 4.1 bar (60 psig) and 85 Nm³/h (50 scfm) air consumption. (See dot on chart.)

Caution: Do not exceed 8.6 bar (125 psig) air supply pressure.



Flow rates indicated on chart were determined by pumping water.

For optimum life and performance, pumps should be specified so that daily operation parameters will fall in the center of the pump performance curve.

**T8 METAL
PTFE -FITTED**

Height..... 668 mm (26.3")
 Width..... 404 mm (15.9")
 Depth 343 mm (13.5")
 Ship Weight Aluminum 33.1 kg (72 lbs.)
 Cast Iron 52.4 kg (114 lbs.)
 316 Stainless Steel 48.8 kg (106 lbs.)
 Alloy C 53.4 kg (116 lbs.)
 Air Inlet..... 19 mm (3/4")
 Inlet..... 51 mm (2")
 Outlet 51 mm (2")
 Suction Lift 3.7 m Dry (12')
 9.5 m Wet (31')
 Displacement/Stroke 1.51 L (0.40 gal.)¹
 Max. Flow Rate..... 534 lpm (141 gpm)
 Max. Size Solids 6.4 mm (1/4")

¹Displacement per stroke was calculated at 4.8 bar (70 psig) air inlet pressure against a 2 bar (30 psig) head pressure.

Example: To pump 284 lpm (75 gpm) against a discharge pressure head of 2.1 bar (30 psig) requires 4.1 bar (60 psig) and 102 Nm³/h (60 scfm) air consumption. (See dot on chart.)

Caution: Do not exceed 8.6 bar (125 psig) air supply pressure.

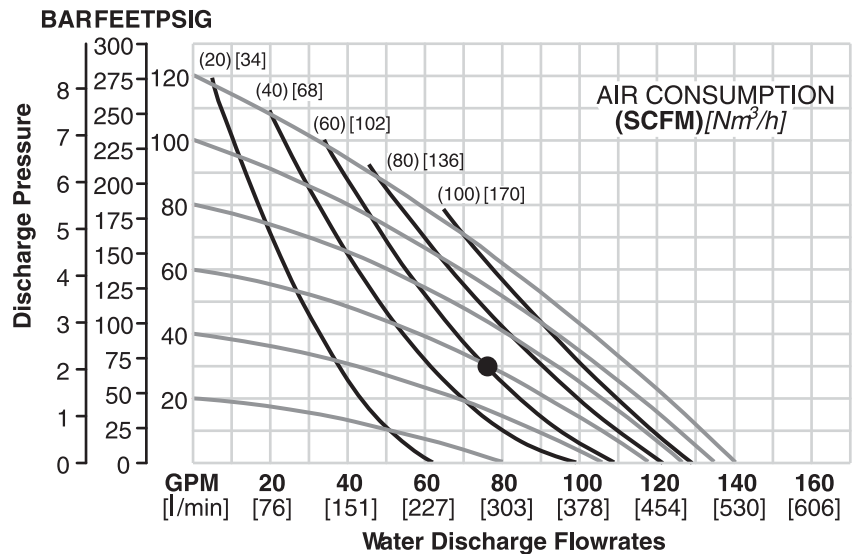
**T8 METAL
STALLION ULTRA-FLEX™
FITTED**

Height..... 668 mm (26.3")
 Width..... 610 mm (24.0")
 Depth 345 mm (13.6")
 Est. Ship Weight..... Aluminum 33 kg (72 lbs)
 Cast Iron 52 kg (114 lbs)
 316 Stainless Steel 48 kg (106 lbs)
 Air Inlet..... 19 mm (3/4")
 Inlet..... 51 mm (2")
 Outlet 51 mm (2")
 Suction Lift 3.4 m Dry (11')
 9.5 m Wet (31')
 Displacement/Stroke 1.66 l (0.44 gal.)¹
 Max. Flow Rate..... 568 lpm (150 gpm)
 Max. Size Solids 19.0 mm (1/4")

¹Displacement per stroke was calculated at 4.8 bar (70 psig) air inlet pressure against a 2 bar (30 psig) head pressure.

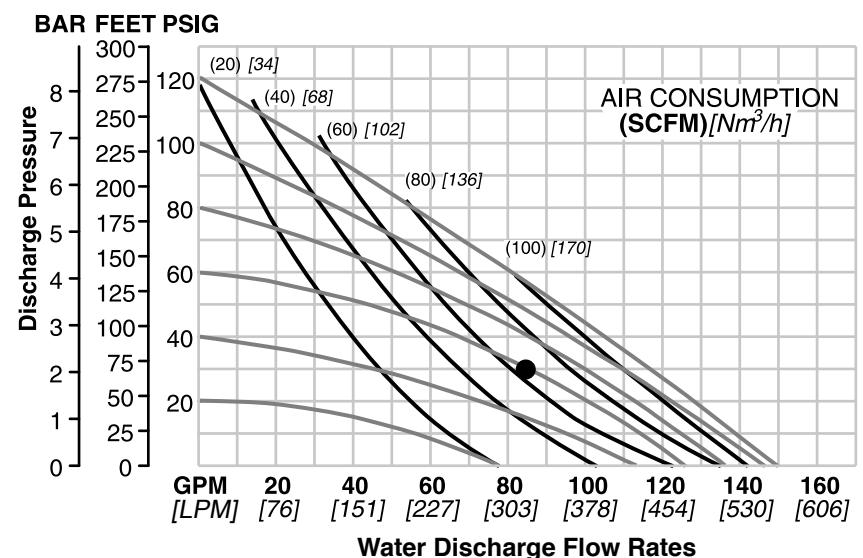
Example: To pump 322 lpm (85 gpm) against a discharge pressure head of 2.1 bar (30 psig) requires 4.1 bar (60 psig) and 110.5 Nm³/h (65 scfm) air consumption. (See dot on chart.)

Caution: Do not exceed 8.6 bar (125 psig) air supply pressure.



Flow rates indicated on chart were determined by pumping water.

For optimum life and performance, pumps should be specified so that daily operation parameters will fall in the center of the pump performance curve.



Flow rates indicated on chart were determined by pumping water.

For optimum life and performance, pumps should be specified so that daily operation parameters will fall in the center of the pump performance curve.

PERFORMANCE

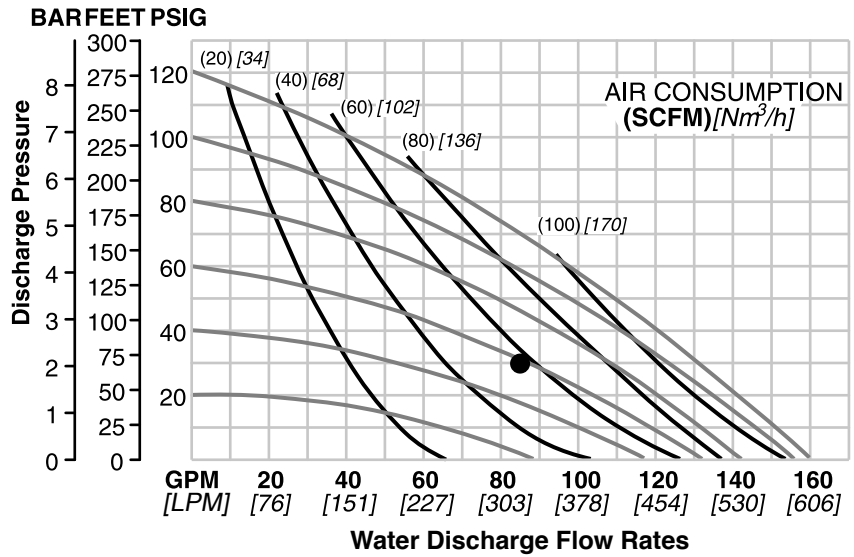
**T8 METAL
STALLION TPE-FITTED**

Height.....	668 mm (26.3")
Width.....	610 mm (24.0")
Depth	345 mm (13.6")
Est. Ship Weight.....	Aluminum 33 kg (72 lbs)
	Cast Iron 52 kg (114 lbs)
	316 Stainless Steel 48 kg (106 lbs)
Air Inlet.....	19.1 mm (3/4")
Inlet.....	51 mm (2")
Outlet	51 mm (2")
Suction Lift	2.1 m Dry (7')
	9.5 m Wet (28')
Displacement/Stroke	1.89 l (0.50 gal.) ¹
Max. Flow Rate.....	606 lpm (160 gpm)
Max. Size Solids	19.0 mm (1/4")

¹Displacement per stroke was calculated at 4.8 bar (70 psig) air inlet pressure against a 2 bar (30 psig) head pressure.

Example: To pump 322 lpm (85 gpm) against a discharge pressure head of 2.1 bar (30 psig) requires 4.1 bar (60 psig) and 94 Nm³/h (55 scfm) air consumption. (See dot on chart.)

Caution: Do not exceed 8.6 bar (125 psig) air supply pressure.



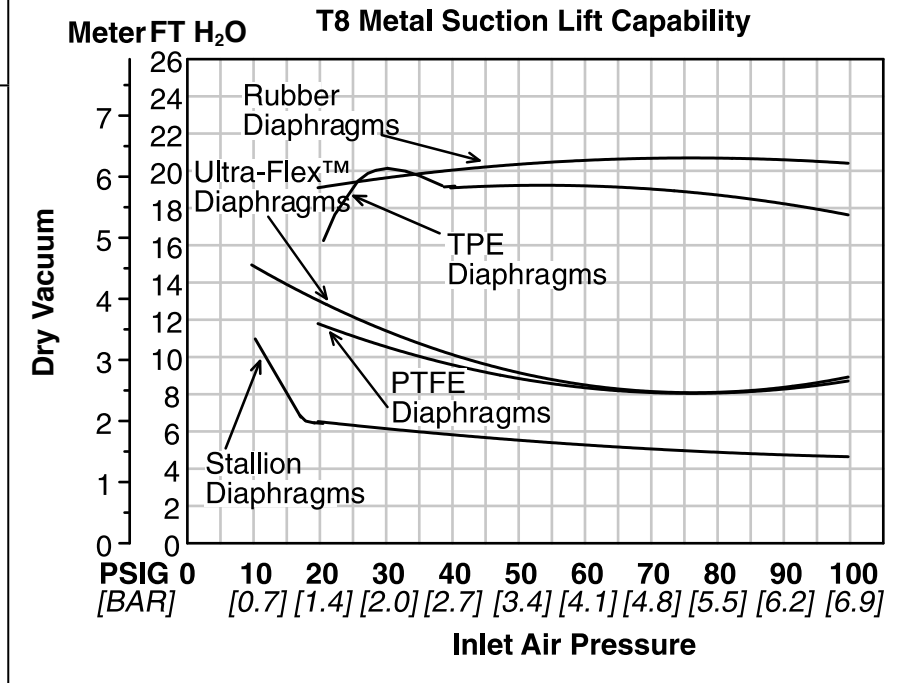
Flow rates indicated on chart were determined by pumping water.

For optimum life and performance, pumps should be specified so that daily operation parameters will fall in the center of the pump performance curve.

SUCTION LIFT CURVE

T8 METAL SUCTION LIFT CAPABILITY

Suction lift curves are calibrated for pumps operating at 305 m (1,000') above sea level. This chart is meant to be a guide only. There are many variables which can affect your pump's operating characteristics. The number of intake and discharge elbows, viscosity of pumping fluid, elevation (atmospheric pressure) and pipe friction loss all affect the amount of suction lift your pump will attain.



SUGGESTED INSTALLATION

The Model T8 Metal pump has a 51 mm (2") inlet and 51 mm (2") outlet and is designed for flows to 617 lpm (163 gpm). Refer to Section 5 for performance characteristics. The T8 Metal pump is manufactured with wetted parts of aluminum, 316 Stainless Steel, and Cast Iron. The center block of the T8 Metal pump is constructed of polypropylene, aluminum, nickel-plated aluminum, PTFE-coated aluminum, or stainless steel. A variety of diaphragms, valve balls, valve seats and o-rings are available to satisfy temperature, chemical compatibility, abrasion and flex concerns.

The suction pipe size should be at least 51 mm (2") diameter or larger if highly viscous material is being pumped. The suction hose must be non-collapsible, reinforced type as the T8 is capable of pulling a high vacuum. Discharge piping should be at least 51 mm (2"); larger diameter can be used to reduce friction losses. It is critical that all fittings and connections are airtight or a reduction or loss of pump suction capability will result.

INSTALLATION: Months of careful planning, study, and selection efforts can result in unsatisfactory pump performance if installation details are left to chance.

Premature failure and long term dissatisfaction can be avoided if reasonable care is exercised throughout the installation process.

LOCATION: Noise, safety, and other logistical factors usually dictate where equipment be situated on the production floor. Multiple installations with conflicting requirements can result in congestion of utility areas, leaving few choices for siting of additional pumps.

Within the framework of these and other existing conditions, every pump should be located in such a way that five key factors are balanced against each other to maximum advantage.

ACCESS: First of all, the location should be accessible. If it's easy to reach the pump, maintenance personnel will have an easier time carrying out routine inspections and adjustments. Should major repairs become necessary, ease of access can play a key role in speeding the repair process and reducing total downtime.

AIR SUPPLY: Every pump location should have an air line large enough to supply the volume of air necessary to achieve the desired pumping rate (see Section 5). Use air pressure up to a maximum of 8.6 bar (125 psig) depending upon pumping requirements.

For best results, the pumps should use a 5 micron air filter, needle valve and regulator. The use of an air filter before the pump will insure that the majority of any pipeline contaminants will be eliminated.

SOLENOID OPERATION: When operation is controlled by a solenoid valve in the air line, three-way valves should be used. This valve allows trapped air between the valve and the pump to bleed off which improves pump performance. Pumping volume can be determined by counting the number of strokes per minute and then multiplying the figure by the displacement per stroke.

MUFFLER: Sound levels are reduced below OSHA specifications using the standard Wilden muffler element. Other

mufflers can be used to further reduce sound levels, but they usually reduce pump performance.

ELEVATION: Selecting a site that is well within the pump's dynamic lift capability will assure that loss-of-prime troubles will be eliminated. In addition, pump efficiency can be adversely affected if proper attention is not given to site location.

PIPING: Final determination of the pump site should not be made until the piping problems of each possible location have been evaluated. The impact of current and future installations should be considered ahead of time to make sure that inadvertent restrictions are not created for any remaining sites.

The best choice possible will be a site involving the shortest and the straightest hook-up of suction and discharge piping. Unnecessary elbows, bends, and fittings should be avoided. Pipe sizes should be selected so as to keep friction losses within practical limits. All piping should be supported independently of the pump. In addition, the piping should be aligned so as to avoid placing stresses on the pump fittings.

Flexible hose can be installed to aid in absorbing the forces created by the natural reciprocating action of the pump. If the pump is to be bolted down to a solid foundation, a mounting pad placed between the pump and foundation will assist in minimizing pump vibration. Flexible connections between the pump and rigid piping will also assist in minimizing pump vibration. If quick-closing valves are installed at any point in the discharge system, or if pulsation within a system becomes a problem, a surge suppressor should be installed to protect the pump, piping and gauges from surges and water hammer.

If the pump is to be used in a self-priming application, be sure that all connections are airtight and that the suction lift is within the model's ability. Note: Materials of construction and elastomer material have an effect on suction lift parameters. Please refer to Section 6 for specifics.

When pumps are installed in applications involving flooded suction or suction head pressures, a gate valve should be installed in the suction line to permit closing of the line for pump service.

Pumps in service with a positive suction head are most efficient when inlet pressure is limited to 0.5–0.7 bar (7–10 psig). Premature diaphragm failure may occur if positive suction is 0.7 bar (10 psig) and higher.

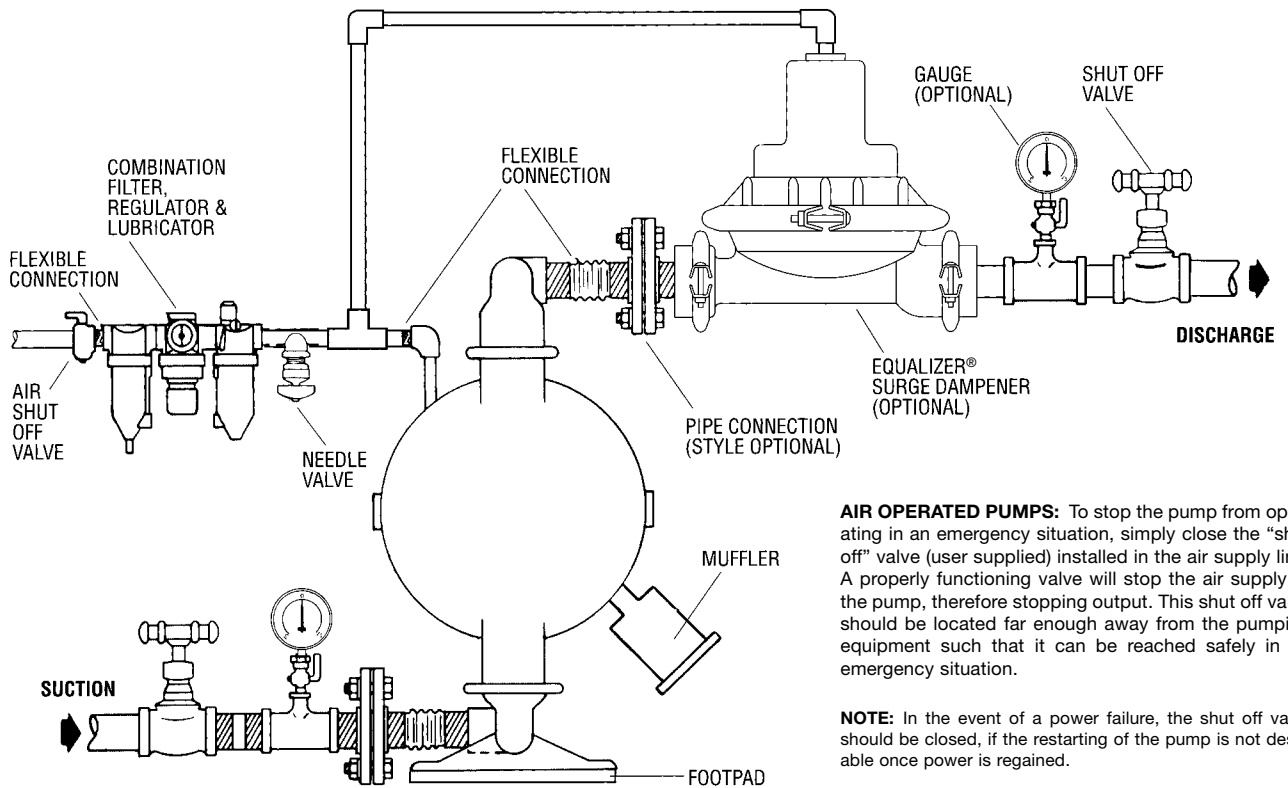
THE MODEL T8 WILL PASS 6.4 mm (1/4") SOLIDS. THE T8 STALLION WILL PASS 19 mm (3/4") SOLIDS. WHENEVER THE POSSIBILITY EXISTS THAT LARGER SOLID OBJECTS MAY BE SUCKED INTO THE PUMP, A STRAINER SHOULD BE USED ON THE SUCTION LINE.

BLOW OUT AIR LINE FOR 10 TO 20 SECONDS BEFORE ATTACHING TO PUMP TO MAKE SURE ALL PIPE LINE DEBRIS IS CLEAR. ALWAYS USE AN IN-LINE AIR FILTER.

CAUTION: DO NOT EXCEED 8.6 BAR (125 PSIG) AIR SUPPLY PRESSURE. (3.4 BAR [50 PSIG] FOR UL MODELS.)

CAUTION: DO NOT HANG T8 STALLION PUMPS BY THEIR HANDLES.

SUGGESTED INSTALLATION



AIR OPERATED PUMPS: To stop the pump from operating in an emergency situation, simply close the “shut off” valve (user supplied) installed in the air supply line. A properly functioning valve will stop the air supply to the pump, therefore stopping output. This shut off valve should be located far enough away from the pumping equipment such that it can be reached safely in an emergency situation.

NOTE: In the event of a power failure, the shut off valve should be closed, if the restarting of the pump is not desirable once power is regained.

SUGGESTED OPERATION & MAINTENANCE

OPERATION: The T8 is not pre-lubricated, and may require in-line lubrication. Pump discharge rate can be controlled by limiting the volume and/or pressure of the air supply to the pump (preferred method). An air regulator is used to regulate air pressure. A needle valve is used to regulate volume. Pump discharge rate can also be controlled by throttling the pump discharge by partially closing a valve in the discharge line of the pump. This action increases friction loss which reduces flow rate. (See Section 5.) This is useful when the need exists to control the pump from a remote location. When the pump discharge pressure equals or exceeds the air supply pressure, the pump will stop; no bypass or pressure relief valve is needed, and pump damage will not occur. The pump has reached a “dead-head” situation and can be restarted by reducing the fluid discharge pressure or increasing the air inlet pressure. The Wilden T8 pump runs solely on compressed air and does not generate heat, therefore your process fluid temperature will not be affected.

MAINTENANCE AND INSPECTIONS: Since each application is unique, maintenance schedules may be different for every pump. Frequency of use, line pressure, viscosity and abrasiveness of process fluid all affect the parts life of a Wilden pump. Periodic inspections have been found to offer the best means for preventing unscheduled pump downtime. Personnel familiar with the pump’s construction and service should be informed of any abnormalities that are detected during operation.

RECORDS: When service is required, a record should be made of all necessary repairs and replacements. Over a period of time, such records can become a valuable tool for predicting and preventing future maintenance problems and unscheduled downtime. In addition, accurate records make it possible to identify pumps that are poorly suited to their applications.

TROUBLESHOOTING

Pump will not run or runs slowly.

1. Check air inlet screen and air filter for debris.
2. Check for sticking air valve, flush air valve in solvent.
3. Check for worn out air valve. If piston face in air valve is shiny instead of dull, air valve is probably worn beyond working tolerances and must be replaced.
4. Check center block Glyd™ rings. If worn excessively, they will not seal and air will simply flow through pump and out air exhaust. Use only Wilden Glyd™ rings as they are of special construction.
5. Check for rotating piston in air valve.
6. Check type of lubricant being used. A higher viscosity oil than suggested may cause the piston to stick or run erratically. Wilden suggests the use of an oil with arctic characteristics (ISO 15-5 wt.).

Pump runs but little or no product flows.

1. Check for pump cavitation; slow pump speed down to match thickness of material being pumped.
2. Check for sticking ball check valves. If material being pumped is not compatible with pump elastomers, swelling may occur. Replace ball check valves and o-rings with the proper elastomers.
3. Check to make sure all suction connections are air tight, especially clamp bands around intake balls.

Pump air valve freezes.

Check for excessive moisture in compressed air. Either install dryer or hot air generator for compressed air.

Air bubbles in pump discharge.

1. Check for ruptured diaphragm.
2. Check tightness of clamp bands, especially at intake manifold.

Product comes out air exhaust.

1. Check for diaphragm rupture.
2. Check tightness of piston plates to shaft.

Pump rattles.

1. See E9 Troubleshooting Guide.
2. Create false discharge head or suction lift.

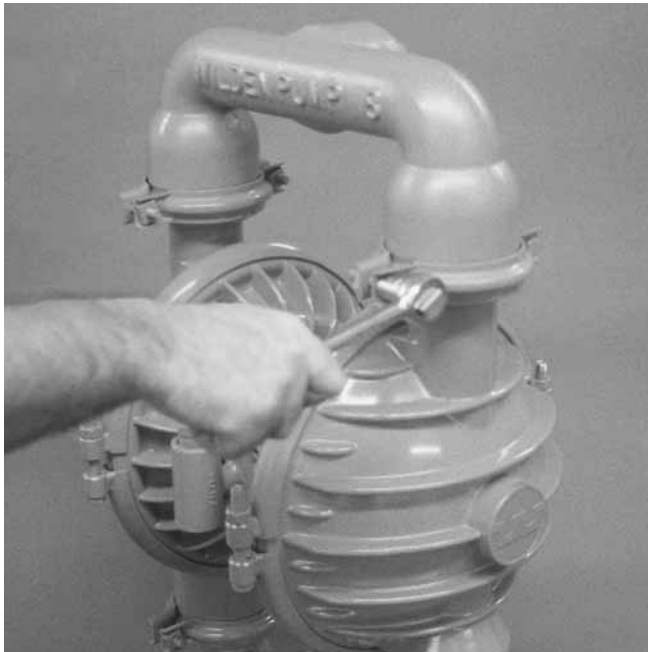
CAUTION: Before any maintenance or repair is attempted, the compressed air line to the pump should be disconnected and all air pressure allowed to bleed from the pump. Disconnect all intake, discharge, and air lines. Drain the pump by turning it upside down and allowing any fluid to flow into a suitable container. Be aware of any hazardous effects of contact with your process fluid.

The Wilden T8 has a 51 mm (2") inlet and 51 mm (2") outlet and is designed for flows up to 617 lpm (163 gpm). The model T8 is available in aluminum, cast iron, or 316 stainless steel wetted parts. The center block is available in polypropylene, aluminum, nickel-plated aluminum, PTFE-coated aluminum and 316 stainless steel. All o-rings used in the pump are of a special material and shore hardness that should only be replaced with factory-supplied parts.

TOOLS REQUIRED:

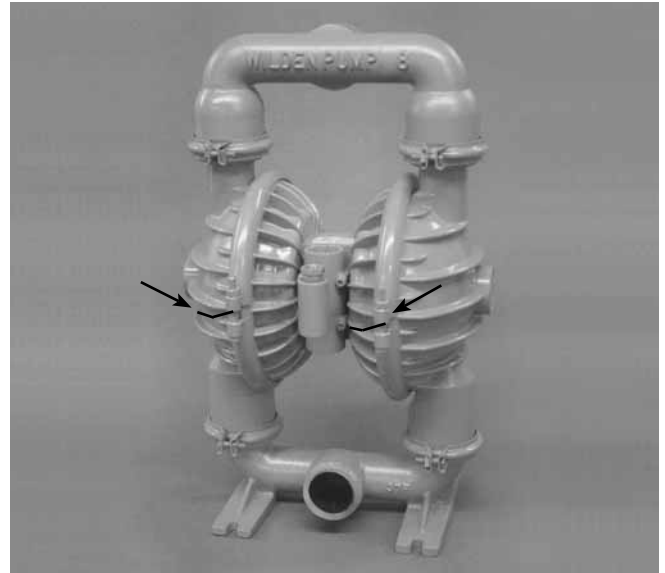
Adjustable Wrench
 13 mm (1/2") Socket
 14 mm (9/16") Box Wrench
 17 mm (11/16") Socket
 25 mm (1") Box Wrench or Adjustable Wrench
 Vise equipped with soft jaws (such as plywood, plastic or other suitable material)

NOTE: The model used for these instructions incorporates rubber diaphragms, balls, and seats. Models with PTFE diaphragms, balls and seats are the same except where noted. The procedures for A8 Accu-Flo™ pumps are the same except for the air distribution system.



Step 2. *Figure 2*

Utilizing the 13 mm (1/2") box wrench, remove the two small clamp bands that fasten the discharge manifold to the liquid chambers.

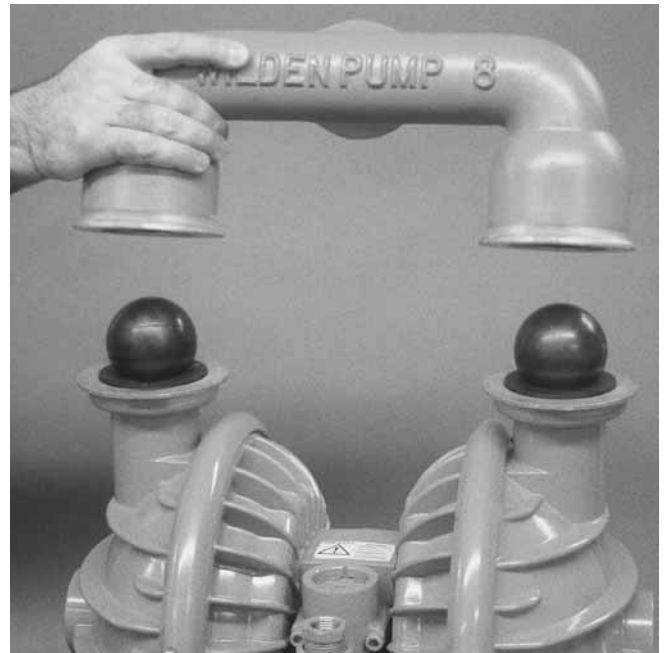


DISASSEMBLY:

Figure 1

Step 1.

Before starting disassembly, mark a line from each liquid chamber to its corresponding air chamber. This line will assist in proper alignment during reassembly.



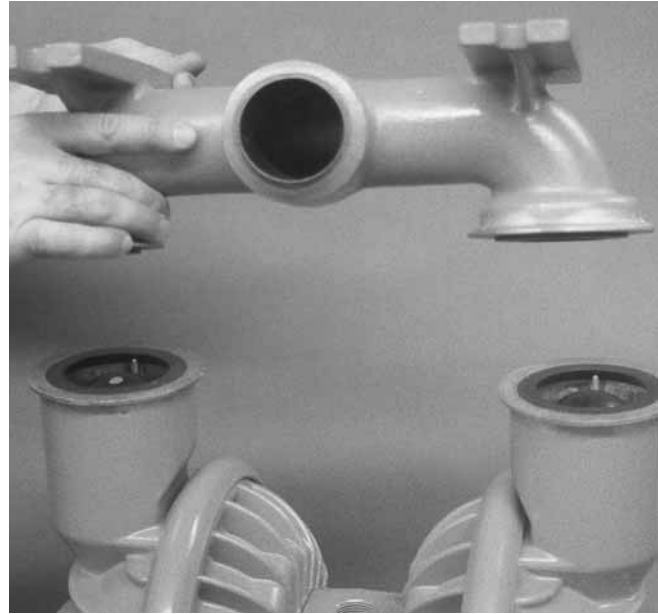
Step 3. *Figure 3*

Remove the discharge manifold to expose the valve balls and seats. Inspect the ball cage area of the manifold for excessive wear or damage. Remove the discharge valve balls, seats and o-rings from the discharge manifold and inspect for nicks, gouges, chemical attack or abrasive wear. Replace worn parts with genuine Wilden parts for reliable performance. PTFE o-rings should be replaced when reassembled.

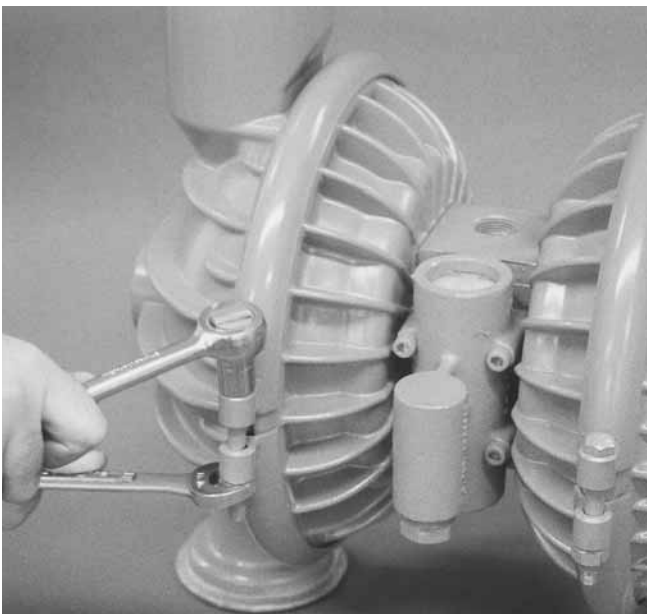
PUMP DISASSEMBLY



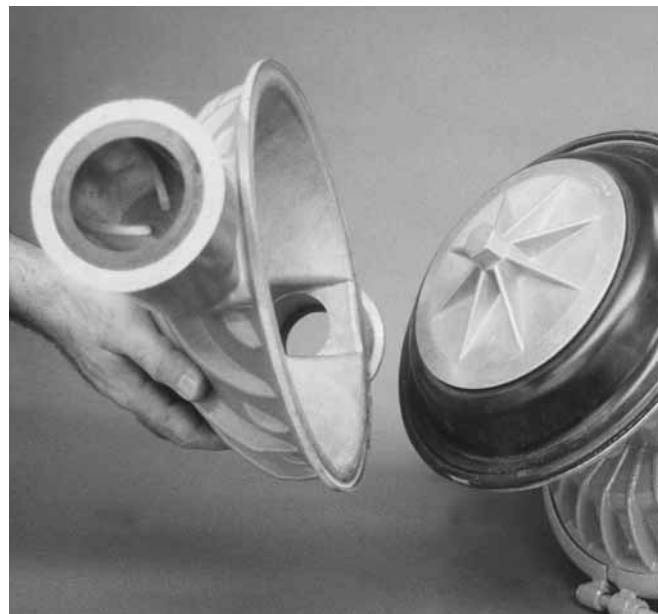
Step 4. *Figure 4*
Remove the two small clamp bands that fasten the intake manifold to the liquid chambers.



Step 5. *Figure 5*
Lift the intake manifold away to expose the valve balls and seats. Inspect intake valve ball cage for excessive wear or damage. Remove the intake valve balls, seats and o-rings from the discharge manifold and inspect for nicks, gouges, chemical attack or abrasive wear. Replace worn parts with genuine Wilden parts for reliable performance. PTFE o-rings should be replaced when reassembled.



Step 6. *Figure 6*
With 14 mm (9/16") socket and 17 mm (11/16") box wrench, remove one set of large clamp bands that attach liquid chamber to center section assembly.



Step 7. *Figure 5*
Lift liquid chamber away from center section to expose diaphragm and outer piston.



Step 8. *Figure 8*
Using a 25 mm (1") box wrench, adjustable wrench, or by rotating the diaphragm by hand, remove the diaphragm assembly.



Step 9A. *Figure 9A*
NOTE: Due to varying torque values, one of the following two conditions may occur: 1) The outer piston, diaphragm and inner piston remain attached to the shaft and the entire assembly can be removed from the center section.



Step 9B. *Figure 9B*
2) The outer piston, diaphragm, and inner piston separate from the shaft which remains connected to the opposite side diaphragm assembly. Repeat disassembly instructions for opposite liquid chamber. Inspect diaphragm assembly and shaft for signs of wear or chemical attack. Replace all worn parts with genuine Wilden parts for reliable performance.



Step 10. *Figure 10*
To remove the diaphragm assembly from the shaft, secure shaft with soft jaws (a vise fitted with plywood or other suitable material) to ensure shaft is not nicked, scratched, or gouged. Using an adjustable wrench, remove diaphragm assembly from shaft. Inspect all parts for wear and replace with genuine Wilden parts if necessary.

AIR VALVE / CENTER BLOCK DISASSEMBLY

The air valve assembly consists of both the air valve body and piston and the center block. The unique design of the air valve relies only on differential pressure to effect the diaphragm shift. It is reliable and simple to maintain. The bushing in the center block, along with the diaphragm shaft, provides the “trigger” to tell the air valve to shift. The following procedure will ensure that the air valve on your Wilden pump will provide long trouble-free service.

AIR VALVE BODY AND PISTON ASSEMBLY AND DISASSEMBLY:

The air valve body and piston can be disconnected from the pump by removing the four socket head cap screws which attach it to the center block. The piston in the air valve is aluminum with a dark gray anodized coating. The piston should move freely and the ports in the piston should line up with the ports on the face of the air valve body (see below). The piston should also appear to be a dull, dark gray in color. If the piston appears to be a shiny aluminum color, the air valve is probably worn beyond working tolerance and should be replaced.

If the piston does not move freely in the air valve, the entire air valve should be immersed in a cleaning solution.

[NOTE: Do not force the piston by inserting a metal object.] This soaking should remove any accumulation of sludge and grit which is preventing the air valve piston from moving freely. Also, remove and clean the air valve screen. If the air valve piston does not move freely after the above cleaning, the air valve should be disassembled as follows: remove the snap ring from the top end of the air valve cylinder and apply an air jet to the 3/16-inch hole on the opposite end of the air valve face. (See *Figure C.*) **CAUTION:** The air valve end cap may come out with considerable force. Hand protection such as a padded glove or rag should be used to capture the end cap.

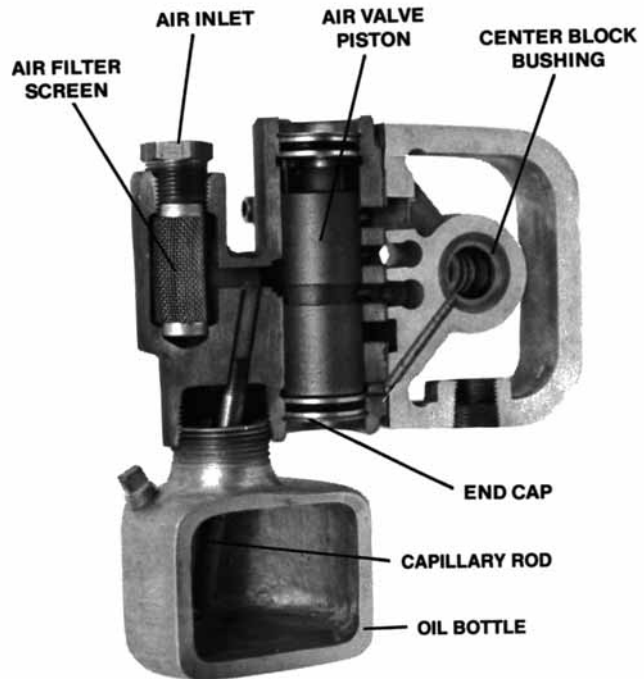


Figure C

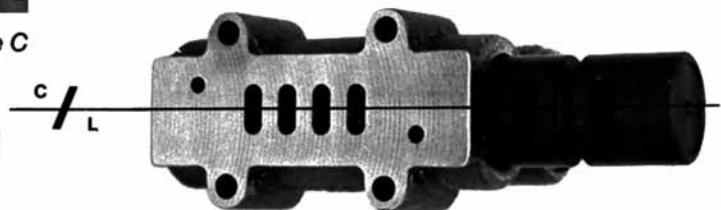


Figure D

AIR VALVE / CENTER BLOCK DISASSEMBLY

Small nicks can usually be dressed out and the piston returned to service. Make sure that the guide pin is straight and smooth or the piston will not move freely in the cylinder. Clean out anti-centering pin holes located at each side of the piston. Pin holes are located on each side of the annular groove on the top of the piston and travel to each end. New o-rings should be installed on the end caps. Lubricate the o-rings and install the end caps, assuring that proper alignment of the piston and cylinder ports is maintained. (See *Figure D*). Reinstall air valve to center block of pump. Tighten per the torque specifications in Section 8C.

GLYD™ RING REPLACEMENT:

When the Glyd™ rings become worn, they will no longer seal and must be replaced. Due to the design characteristics of the Glyd™ rings, it is suggested that you use the Ringer Seal installation kit when replacing Glyd™ rings. Consult EOM-Ringer for installation instructions.

CENTER BLOCK ASSEMBLY:

The pump's center block consists of a polypropylene or die cast housing with a cast-in bronze bushing. The bushing has eleven grooves cut on the inside diameter. There are seven Glyd™ rings that fit in these grooves (see *Figure E*). Since these Glyd™ rings form a part of the shifting function of the pump, it is necessary that they be located in the proper grooves. The bronze bushing is replaceable in cast iron or stainless steel center blocks only. When bushing wear becomes excessive, a new center block must be used.

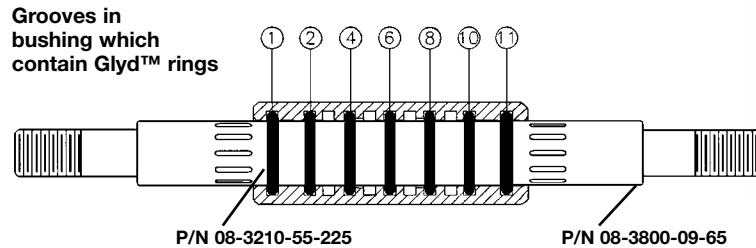


Figure E



Figure F (Side View)

P/N 08-3300-07 Bronze Bushing can be pressed into a stainless steel or cast iron center section. (See *Figure F*). When installing a new bushing, four bleeder holes which allow the pump to exhaust air must be drilled. (See *Figure G*).

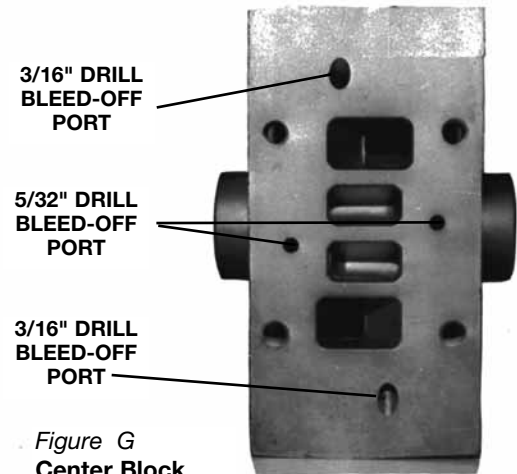


Figure G
Center Block
(Front View)

REASSEMBLY HINTS & TIPS

ASSEMBLY:

Upon performing applicable maintenance to the air distribution system, the pump can now be reassembled. Please refer to the disassembly instructions for photos and parts placement. To reassemble the pump, follow the disassembly instructions in reverse order. The air distribution system needs to be assembled first, then the diaphragms and finally the wetted path. Please find the applicable torque specifications on this page. The following tips will assist in the assembly process.

- Clean the inside of the center section shaft bushing to ensure no damage is done to new seals.
- Stainless bolts should be lubed to reduce the possibility of seizing during tightening.

- Ensure proper alignment on the sealing surfaces of intake and discharge manifolds.
- Liquid chambers are easier to attach when the diaphragm is inverted. Prior to attaching the second water chamber, push diaphragm assembly so that it is as close as possible to the center section.
- PVDF and PFA pumps require PTFE gasket kits for improved sealing. Gasket kits may be installed on other pumps where sealing is an issue.
- When assembling PTFE-coated hardware, care should be taken to keep the coating intact.
- When installing Glyd™ rings, the use of the Wilden Ringer tool simplifies seal installation.

MAXIMUM TORQUE SPECIFICATIONS

Description of Part	Metal Pumps
Air Valve	9.6 N•m (85 in-lbs)
Outer Piston (PTFE-fitted)	108.5 N•m (80 ft-lbs)
Outer Piston (Rubber-fitted)	108.5 N•m (80 ft-lbs)
Small Clamp Band (PTFE-fitted))	6.6 N•m (58 in-lbs)
Small Clamp Band (Rubber-fitted))	2.8 N•m (25 in-lbs)
Large Clamp Band (All)	47.4 N•m (35 ft-lbs)

Description of Part	Metal Pumps
Center Block Assembly	31.1 N•m (23 ft-lbs)
Polyurethane Screen Base	2.3 N•m (20 in-lbs)
Metal Screen Base	9.0 N•m (80 in-lbs)
Inlet Cover	9.0 N•m (80 in-lbs)
Stallion Handle	20.4 N•m (15 ft-lbs)

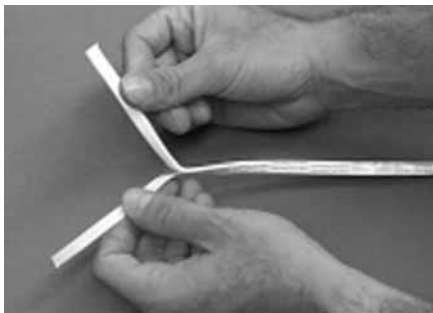
GASKET KIT INSTALLATION

The Wilden T4 cast iron pumps require Teflon® gasket tape on the liquid chambers (P/N 04-9502-99). Other pump types may use Teflon® gasket kits for additional sealing characteristics.

During reassembly follow the procedures listed in your pump's Engineering, Operation and Maintenance manual. Carefully prepare sealing surfaces by removing all debris and foreign

matter from diaphragm bead and all mating surfaces. If necessary, smooth or deburr all sealing surfaces. Mating surfaces must be properly aligned in order to ensure positive sealing characteristics.

Always wear safety glasses when performing maintenance on any Wilden product.



Step 1

Gently remove the adhesive covering from the back of the Teflon® tape. Ensure that the adhesive strip remains attached to the Teflon® tape.



Step 2

Starting at any point, place the Teflon® tape in the center of the diaphragm bead on the liquid chamber and press lightly on the tape to ensure that the adhesive holds in place during assembly. Do not stretch the tape during placement in the center of diaphragm bead groove.



Step 3

The end of the tape should overlap approximately 13 mm (1/2"). Proceed to install the Teflon® tape on the remaining diaphragm.

Finding spares a nightmare?

Sleep easier with



PRODUCTS:

AODDP

(Air Operated Double Diaphragm Pumps)

- Warren-Rupp
- ARO
- Other



PUMP PARTS

(Low Cost)

- Diaphragms
- Valve balls
- Valve seats



KNOWLEDGE & SERVICE

- Competitive pricing
- Delivery
- Service
- Inventory

Spectrom is not your typical after market part supplier. We do not simply sell pump parts; we provide value added procurement solutions.

Our unique network enables us to purchase effectively, resulting in low cost solutions. We also know that low purchase price is not enough - quality, integrity and inventory are also important. Spectrom is structured to provide Pre and Post sales support, giving our customers value added application and pump knowledge.

Contact us to have a procurement solution developed for you. We don't just fit you into a generic system, we develop specific solutions that achieve results.

Spectrom will ship your order from our facility within 3 working days!

WARNING

These parts may exhibit better life than OEM parts.

1-909-512-1261



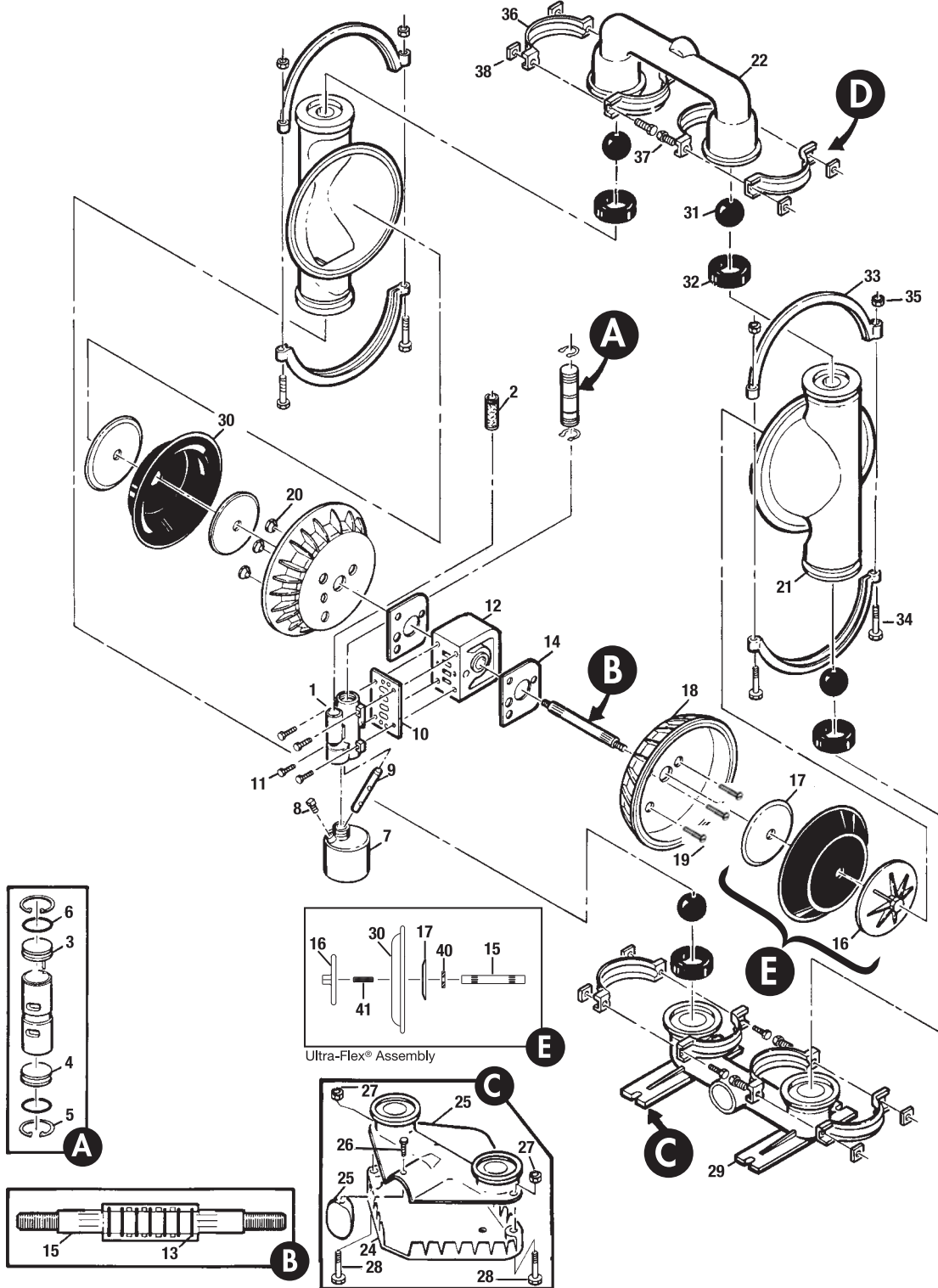
www.spectromparts.com

EXPLODED VIEW & PARTS LISTING

T8 METAL

Rubber/TPE-Fitted

EXPLODED VIEW



EXPLODED VIEW & PARTS LISTING

T8 METAL

Rubber/TPE-Fitted

PARTS LISTING

Item	Part Description	Qty.	T8/AAAPB/0030 P/N	T8/AAAPB P/N	T8/AAAAB P/N
1	Air Valve Assembly¹	1	08-2000-07	08-2000-07	08-2000-07
2	Air Valve Screen	1	08-2500-07	08-2500-07	08-2500-07
3	Air Valve End Cap w/Guide (Top)	1	08-2300-23	08-2300-23	08-2300-23
4	Air Valve End Cap w/o Guide (Bottom)	1	08-2330-23	08-2330-23	08-2330-23
5	Air Valve Snap Ring	2	08-2650-03	08-2650-03	08-2650-03
6	Air Valve Cap O-Ring	2	08-2390-52	08-2390-52	08-2390-52
7	Oil Bottle (Optional) w/Air Valve 08-2050-07	1	08-2850-01	08-2850-01	08-2850-01
8	Plug (Optional)	1	08-7000-07	08-7000-07	08-7000-07
9	Capillary Rod (Optional)	1	08-2900-99	08-2900-99	08-2900-99
10	Air Valve Gasket — Buna-N	1	08-2600-52	08-2600-52	08-2600-52
11	Air Valve Screw 5/16"-18 x 2-1/4"	4	08-6000-08	08-6000-08	08-6000-08
12	Center Block	1	08-3100-20-225	08-3100-20-225	08-3100-01-225
13	Center Block Glyd™ Ring	7	08-3210-55-225	08-3210-55-225	08-3210-55-225
14	Block Gasket — Buna-N	2	08-3520-52	08-3520-52	08-3520-52
15	Shaft	1	08-3800-09-07	08-3800-09-07	08-3800-09-07
	Shaft, Ultra-Flex™	1	08-3820-09-07	08-3820-09-07	08-3820-09-07
16	Piston, Outer	2	08-4550-01	08-4550-01	08-4550-01
	Piston, Outer, Ultra-Flex™	2	04-4552-01	04-4552-01	04-4552-01
17	Piston, Inner	2	08-3700-01	08-3700-01	08-3700-01
	Piston, Inner, Ultra-Flex™	2	04-3700-08	04-3700-08	04-3700-08
18	Air Chamber, Counter Sunk	2	08-3650-01	08-3650-01	08-3650-01
19	Air Chamber Screw 3/8"-16 x 3-9/16"	3	08-6200-08	08-6200-08	08-6200-08
20	Air Chamber Cone Nut 3/8"-16	3	08-6550-08	08-6550-08	08-6550-08
21	Liquid Chamber	2	08-5000-01	08-5000-01	08-5000-01
22	Discharge Manifold	1	08-5020-01	08-5020-01	08-5020-01
23	Inlet Housing for Screened Base	1	08-5080-01-30	N/A	N/A
24	Screen Base for Item 24	1	08-5620-01	N/A	N/A
25	Suction Hook Up Cover for Item 24	1	08-5660-01	N/A	N/A
26	Cap Screw for Item 24 3/8"-16 x 7/8"	1	08-6140-08	N/A	N/A
27	Cap Screw Nut 3/8"-16	2	02-6430-03	N/A	N/A
28	Cap Screw 3/8"-16 x 3"	2	08-6120-08	N/A	N/A
29	Inlet Housing for Footed Base	1	N/A	08-5080-01	08-5080-01
30	Diaphragm*	2	*	*	*
31	Valve Ball*	4	*	*	*
32	Valve Seat*	4	*	*	*
33	Large Clamp Band Assy.	2	08-7300-08	08-7300-08	08-7300-08
34	Large Carriage Bolt 3/8"-16 x 3"	4	08-6120-08	08-6120-08	08-6120-08
35	Large Hex Nut 3/8"-16	4	08-6450-08	08-6450-08	08-6450-08
36	Small Clamp Band Assy.	4	08-7100-08	08-7100-08	08-7100-08
37	Small Hex Head Cap Screw 5/16"-18 x 1-3/8"	8	08-6050-08	08-6050-08	08-6050-08
38	Small Hex Nut 5/16"-18	8	04-6420-08	04-6420-08	04-6420-08
39	Muffler (not shown)	1	08-3510-99	08-3510-99	08-3510-99
40	Spacer, Ultra-Flex™	2	08-3860-08	08-3860-08	08-3860-08
41	Stud, Ultra-Flex™	1	08-6150-08	08-6150-08	08-6150-08

¹Air Valve Assembly includes parts through 08-2390-52.

²T8 Stallion pumps utilize only four (4) of P/N's 08-6100-03 and 08-6408-08 on the bottom manifold and water chambers.

*Refer to elastomer options in Section 9.

NOTE: BSP threads available.

All boldface items are primary wear parts.

0030 Specialty Code = Screen Base

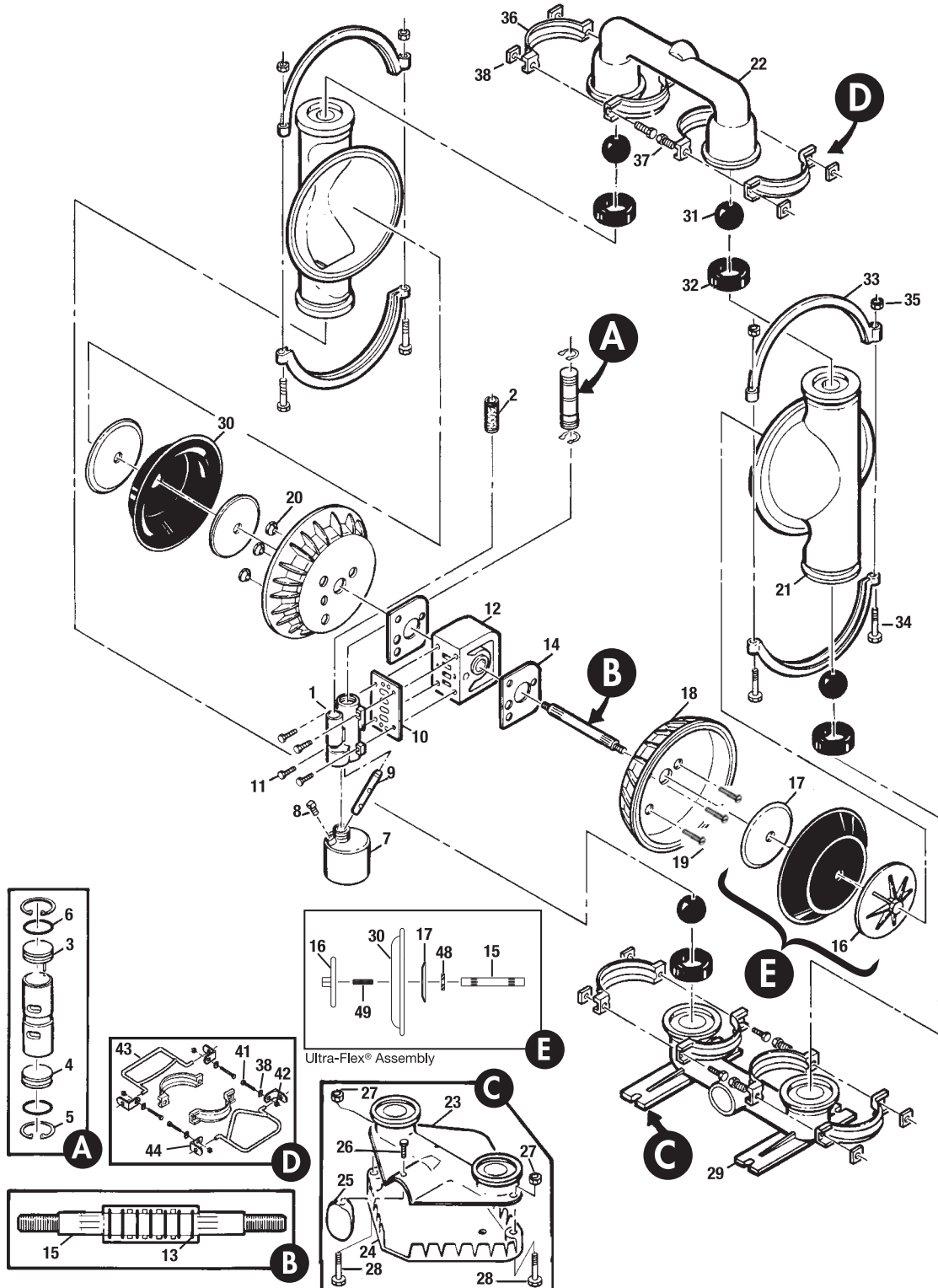
0050 Specialty Code = Stallion

EXPLODED VIEW & PARTS LISTING (Cont'd)

T8 METAL

Rubber/TPE-Fitted

EXPLODED VIEW



EXPLODED VIEW & PARTS LISTING

T8 METAL

Rubber/TPE-Fitted

PARTS LISTING

Item	Part Description	Qty.	T8/WSAPB P/N	T8/AAAAB/0050 P/N	T8/AAAAB/0050 P/N
1	Air Valve Assembly^{1,2}	1	08-2000-07	08-2080-07	08-2080-07
2	Air Valve Screen	1	08-2500-07	08-2500-07	08-2500-07
3	Air Valve End Cap w/Guide (Top)	1	08-2300-23	08-2300-23	08-2300-23
4	Air Valve End Cap w/o Guide (Bottom)	1	08-2330-23	08-2330-23	08-2330-23
5	Air Valve Snap Ring	2	08-2650-03	08-2650-03	08-2650-03
6	Air Valve Cap O-Ring	2	08-2390-52	08-2390-52	08-2390-52
7	Oil Bottle (Optional) ²	1	08-2850-01	08-2850-01	08-2850-01
8	Plug (Optional) ²	1	08-7000-07	08-7000-07	08-7000-07
9	Capillary Rod (Optional) ²	1	08-2900-99	08-2900-99	08-2900-99
10	Air Valve Gasket — Buna-N	1	08-2600-52	08-2600-52	08-2600-52
11	Air Valve Screw 5/16"-18 x 2-1/4"	4	08-6000-08	08-6000-08	08-6000-08
12	Center Block	1	08-3100-20-225	08-3100-01-225	08-3100-01-225
13	Center Block Glyd™ Ring	7	08-3210-55-225	08-3210-55-225	08-3210-55-225
14	Block Gasket — Buna-N	2	08-3520-52	08-3520-52	08-3520-52
15	Shaft	1	08-3800-09-07	08-3800-09-65	N/A
	Shaft, Ultra-Flex™	1	08-3820-09-07	08-3820-09-07	08-3820-09-07
16	Piston, Outer	2	08-4550-02	08-4550-01	N/A
	Piston, Outer, Ultra-Flex™	2	08-4560-02	04-4552-01	04-4552-01
17	Piston, Inner	2	08-3700-01	08-3700-01	04-3700-08
	Piston, Inner, Ultra-Flex™	2	04-3700-08	04-3700-08	04-3700-08
18	Air Chamber, Counter Sunk	2	08-3650-01	08-3650-01	08-3650-01
19	Air Chamber Screw 3/8"-16 x 3-9/16"	3	08-6200-08	08-6200-08	08-6200-08
20	Air Chamber Cone Nut 3/8"-16	3	08-6550-08	08-6550-08	08-6550-08
21	Liquid Chamber	2	08-5000-02	08-5000-01	08-5000-01
22	Discharge Manifold	1	08-5020-02	08-5020-01	08-5020-01
23	Inlet Housing for Screened Base	1	N/A	08-5080-01-30	08-5080-01-30
24	Screen Base for Item 24	1	N/A	08-5620-62	08-5620-62
25	Suction Hook Up Cover for Item 24	1	N/A	08-5660-01	08-5660-01
26	Cap Screw for Item 24 & 26 3/8"-16 x 7/8"	1	N/A	08-6140-03	08-6140-03
27	Cap Screw Nut 3/8"-16	3	N/A	02-6430-03	02-6430-03
28	Cap Screw 3/8"-16 x 3"	3	N/A	08-6120-03	08-6120-03
29	Inlet Housing for Footed Base	1	08-5080-02	N/A	N/A
30	Diaphragm*	2	*	*	**
31	Valve Ball*	4	*	*	**
32	Valve Seat*	4	*	*	**
33	Large Clamp Band Assy.	2	08-7300-08	08-7300-08	08-7300-08S
34	Large Carriage Bolt 3/8"-16 x 3"	4	08-6120-08	08-6120-08	08-6120-08
35	Large Hex Nut 3/8"-16	4	08-6450-08	08-6450-08	08-6450-08
36	Small Clamp Band Assy.	4	08-7100-08	08-7100-08	08-7100-08S
37	Small Hex Head Cap Screw 5/16"-18 x 1-3/8"	8	08-6050-08	08-6050-08	08-6050-08
38	Small Hex Nut 5/16"-18 ²	8	04-6420-08	04-6420-08	04-6420-08
39	Muffler (not shown)	1	08-3510-99	08-3510-99	08-3510-99
40	Bumper Pad, Nylon (Not shown)	2	N/A	08-6900-23-50	08-6900-23-50
41	Screw, HHC, 5/16"-18 x 2	4	N/R	08-6050-08-50	08-6050-08-50
42	Nut, Hex, 5/16"-18	4	N/R	04-6420-08	04-6420-08
43	Handle, Collapsible ³	2	N/R	08-7250-08	08-7250-08
44	Bracket, Handle	4	N/R	08-7410-08	08-7410-08
45	Check Body (Not shown)	1	N/R	08-3550-01	08-3550-01
46	Check Ball (Not shown)	1	N/R	08-1450-51	08-1450-51
47	Pipe Nipple, Check Body (Not shown)	1	N/R	08-7420-08	08-7420-08
48	Spacer, Ultra-Flex™	2	08-3860-08	08-3860-08	08-3860-08
49	Stud, Ultra-Flex™	1	08-6150-08	N/A	08-6150-08

¹Air Valve Assembly includes parts through 08-2390-52.

²T8 Stallion pumps utilize only four (4) of P/N's 08-6100-03 and 08-6408-08 on the bottom manifold and water chambers.

³DO NOT hang Stallion pumps by their handles.

**Refer to elastomer options in Section 9.

**Refer to Stallion elastomer options in Section 9.

NOTE: BSP threads available.

All boldface items are primary wear parts.

0030 Specialty Code = Screen Base

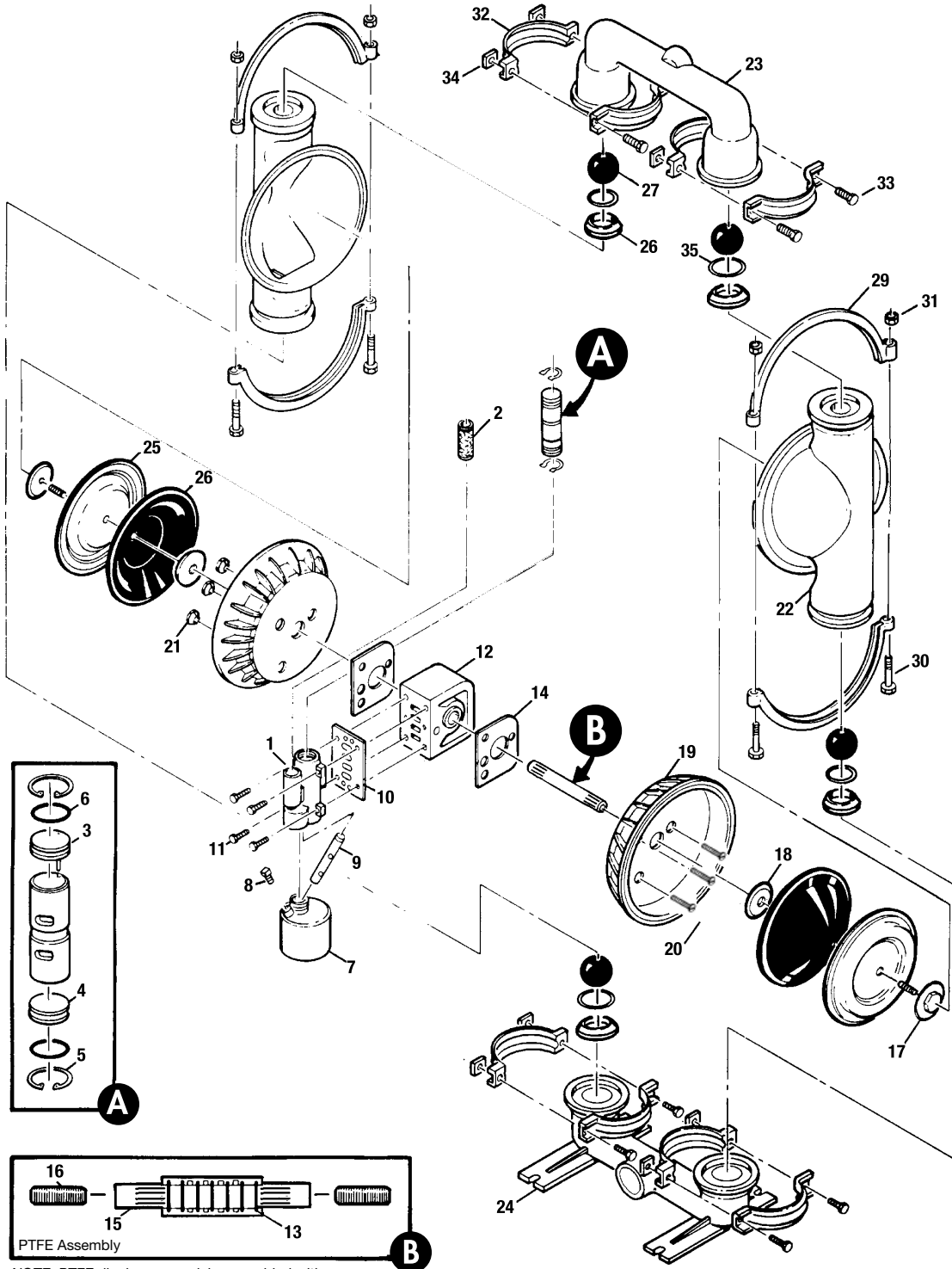
0050 Specialty Code = Stallion

EXPLODED VIEW & PARTS LISTING

T8 METAL

PTFE-Fitted

EXPLODED VIEW



NOTE: PTFE diaphragm models assembled with PTFE gasket kit at factory (not shown).

EXPLODED VIEW & PARTS LISTING

T8 METAL

PTFE-Fitted

PARTS LISTING

Item	Part Description	Qty.	T8/AAAPB/ P/N	T8/AAAAB P/N
1	Air Valve Assembly¹	1	08-2000-07	08-2000-07
2	Air Valve Screen	1	08-2500-07	08-2500-07
3	Air Valve End Cap w/Guide (Top)	1	08-2300-23	08-2300-23
4	Air Valve End Cap w/o Guide (Bottom)	1	08-2330-23	08-2330-23
5	Air Valve Snap Ring	2	08-2650-03	08-2650-03
6	Air Valve Cap O-Ring	2	08-2390-52	08-2390-52
7	Oil Bottle (Optional)	1	08-2850-01	08-2850-01
8	Plug (Optional)	1	08-7000-07	08-7000-07
9	Capillary Rod (Optional)	1	08-2900-99	08-2900-99
10	Air Valve Gasket — Buna-N	1	08-2600-52	08-2600-52
11	Air Valve Screw 5/16" -18 x 2-1/4"	4	08-6000-08	08-6000-08
12	Center Block	1	08-3100-20-225	08-3100-01-225
13	Center Block Glyd™ Ring	7	08-3210-55-225	08-3210-55-225
14	Block Gasket — Buna-N	2	08-3520-52	08-3520-52
15	Shaft	1	08-3820-09-07	08-3820-09-07
16	Shaft Stud 1/2"-20 x 1-7/8"	2	08-6152-08	08-6152-08
17	Piston, Outer	2	08-4600-01	08-4600-01
18	Piston, Inner	2	08-3750-01	08-3750-01
19	Air Chamber, Counter Sunk	2	08-3650-01	08-3650-01
20	Air Chamber Screw 3/8"-16 x 3-9/16"	3	08-6200-08	08-6200-08
21	Air Chamber Nut 3/8"-16	3	08-6550-08	08-6550-08
22	Water Chamber	2	08-5000-01	08-5000-01
23	Discharge Manifold	1	08-5020-01	08-5020-01
24	Inlet Housing, Footed	1	08-5080-01	08-5080-01
25	Diaphragm²	2	08-1010-55	08-1010-55
26	Diaphragm — Back-up³	2	08-1060-51	08-1060-51
27	Valve Ball²	4	08-1080-55	08-1080-55
28	Valve Seat²	4	08-1121-01	08-1121-01
29	Large Clamp Band Assy.	2	08-7300-03	08-7300-03
30	Large Carriage Bol 3/8" -16 x 3"	4	08-6120-03	08-6120-03
31	Large Hex Nut 3/8"-16	4	08-6450-03	08-6450-03
32	Small Clamp Band Assy.	4	08-7100-03	08-7100-03
33	Small Hex Head Cap Screw 5/16" -18 x 1-3/8"	8	08-6050-03	08-6050-03
34	Small Hex Nut 5/16"-18	8	08-6400-03	08-6400-03
35	Teflon® Valve Seat O-Ring⁴	4	08-1200-55	08-1200-55
	Muffler (not shown)	1	08-3510-99	08-3510-99

Item	Part Description	Qty.	T8/SSAPB P/N	T8/WAAPB P/N
1	Air Valve Assembly¹	1	08-2000-07	08-2000-07
2	Air Valve Screen	1	08-2500-07	08-2500-07
3	Air Valve End Cap w/Guide (Top)	1	08-2300-23	08-2300-23
4	Air Valve End Cap w/o Guide (Bottom)	1	08-2330-23	08-2330-23
5	Air Valve Snap Ring	2	08-2650-03	v08-2650-03
6	Air Valve Cap O-Ring	2	08-2390-52	08-2390-52
7	Oil Bottle (Optional)	1	08-2850-01	08-2850-01
8	Plug (Optional)	1	08-7000-07	08-7000-07
9	Capillary Rod (Optional)	1	08-2900-99	08-2900-99
10	Air Valve Gasket — Buna-N	1	08-2600-52	08-2600-52
11	Air Valve Screw 5/16" -18 x 2-1/4"	4	08-6000-03	08-6000-08
12	Center Block	1	08-3100-20-225	08-3100-20-225
13	Center Block Glyd™ Ring	7	08-3210-55-225	08-3210-55-225
14	Block Gasket — Buna-N	2	08-3520-52	08-3520-52
15	Shaft	1	08-3820-09-07	08-3820-09-07
16	Shaft Stud 1/2"-20 x 1-7/8"	2	08-6152-08	08-6152-08
17	Piston, Outer	2	08-4600-03	08-4600-03
18	Piston, Inner	2	08-3750-01	08-3750-01
19	Air Chamber, Counter Sunk	2	08-3650-01	08-3650-01
20	Air Chamber Screw 3/8"-16 x 3-9/16"	3	08-6200-08	08-6200-08
21	Air Chamber Nut 3/8"-16	3	08-6550-08	08-6550-08
22	Water Chamber	2	08-5000-03	08-5000-02
23	Discharge Manifold	1	08-5020-03	08-5020-02
24	Inlet Housing, Footed	1	08-5080-03	08-5080-02
25	Diaphragm²	2	08-1010-55	08-1010-55
26	Diaphragm — Back-up³	2	08-1060-51	08-1060-51
27	Valve Ball²	4	08-1080-55	08-1080-55
28	Valve Seat²	4	08-1121-03	08-1121-08
29	Large Clamp Band Assy.	2	08-7300-03	08-7300-03
30	Large Carriage Bol 3/8" -16 x 3"	4	08-6120-03	08-6120-03
31	Large Hex Nut 3/8"-16	4	08-6450-03	08-6450-03
32	Small Clamp Band Assy.	4	08-7100-03	08-7100-03
33	Small Hex Head Cap Screw 5/16" -18 x 1-3/8"	8	08-6050-03	08-6050-03
34	Small Hex Nut 5/16"-18	8	08-6400-03	08-6400-03
35	PTFE Valve Seat O-Ring⁴	4	08-1200-55	08-1200-55
	Muffler (not shown)	1	08-3510-99	08-3510-99

¹Air Valve Assembly includes item numbers 2 through 6.

²Refer to corresponding elastomer options in Section 9.

³Saniflex™ back-up diaphragms, P/N 08-1060-56, are available upon request. Please consult your local distributor.

⁴Fluoro-Seal™ o-rings, P/N 08-1200-34, are available upon request. See elastomer chart options in Section 9.

NOTE: BSP threads available.

All boldface items are primary wear parts.

ELASTOMER OPTIONS

T8 Metal

MATERIAL	DIAPHRAGMS (2) P/N	ULTRA-FLEX™* DIAPHRAGMS (2) P/N	VALVE BALLS (4) P/N	VALVE SEATS (4) P/N	VALVE SEAT ³ O-RINGS (4) P/N
Polyurethane	08-1010-50	N/A	08-1080-50	08-1120-50	N/A
Neoprene	08-1010-51	08-1020-51	08-1080-51	08-1120-51	N/A
Buna-N	08-1010-52	08-1020-52	08-1080-52	08-1120-52	N/A
EPDM	08-1010-54	08-1020-54	08-1080-54	08-1120-54	N/A
Viton®	08-1010-53	08-1020-53	08-1080-53	08-1120-53	N/A
Saniflex™	08-1010-56	N/A	08-1080-56	08-1120-56	08-1200-56
PTFE	08-1010-55	N/A	08-1080-55	N/A	08-1200-55 ²
Tetra-Flex™ PTFE	08-1010-64	N/A	N/A	N/A	N/A
Neoprene Backup ²	08-1060-51 ¹	N/A	N/A	N/A	N/A
Wil-Flex™	08-1010-58	N/A	08-1080-58	08-1120-58	N/A
Fluoro-Seal™	N/A	N/A	N/A	N/A	08-1200-34 ²
Aluminum	N/A	N/A	N/A	08-1121-01	N/A
Stainless Steel	N/A	N/A	N/A	08-1121-03	N/A
Alloy C	N/A	N/A	N/A	08-1121-04	N/A
Mild Steel	N/A	N/A	N/A	08-1121-08	N/A

¹Use Neoprene backup diaphragms with PTFE diaphragms only.

²Utilized in conjunction with metallic seat.

³Rubber valve seats do not require an o-ring.

T8 Metal Stallion

MATERIAL	DIAPHRAGMS (2) P/N	VALVE BALLS (4) P/N	VALVE SEATS (4) P/N
Polyurethane	08-1010-50	08-1080-62-50	08-1120-62-50
Wil-Flex™	08-1010-58	08-1080-58-50	08-1120-58-50
Saniflex™	08-1010-56	08-1080-56-50	08-1120-56-50
Neoprene	08-1010-51	08-1080-51-50	08-1120-51-50
Buna-N	08-1010-52	08-1080-52-50	08-1120-52-50
Viton®	08-1020-53	08-1080-53-50	08-1120-53-50
EPDM	08-1020-54	08-1080-54-50	08-1120-54-50

NOTES

NOTES

WARRANTY

Each and every product manufactured by Wilden Pump and Engineering, LLC is built to meet the highest standards of quality. Every pump is functionally tested to insure integrity of operation.

Wilden Pump and Engineering, LLC warrants that pumps, accessories and parts manufactured or supplied by it to be free from defects in material and workmanship for a period of five (5) years from date of installation or six (6) years from date of manufacture, whichever comes first. Failure due to normal wear, misapplication, or abuse is, of course, excluded from this warranty.

Since the use of Wilden pumps and parts is beyond our control, we cannot guarantee the suitability of any pump or part for a particular application and Wilden Pump and Engineering, LLC shall not be liable for any consequential damage or expense arising from the use or misuse of its products on any application. Responsibility is limited solely to replacement or repair of defective Wilden pumps and parts.

All decisions as to the cause of failure are the sole determination of Wilden Pump and Engineering, LLC.

Prior approval must be obtained from Wilden for return of any items for warranty consideration and must be accompanied by the appropriate MSDS for the product(s) involved. A Return Goods Tag, obtained from an authorized Wilden distributor, must be included with the items which must be shipped freight prepaid.

The foregoing warranty is exclusive and in lieu of all other warranties expressed or implied (whether written or oral) including all implied warranties of merchantability and fitness for any particular purpose. No distributor or other person is authorized to assume any liability or obligation for Wilden Pump and Engineering, LLC other than expressly provided herein.

PLEASE PRINT OR TYPE AND FAX TO WILDEN

PUMP INFORMATION			
Item # _____		Serial # _____	
Company Where Purchased _____			
YOUR INFORMATION			
Company Name _____			
Industry _____			
Name _____		Title _____	
Street Address _____			
City _____	State _____	Postal Code _____	Country _____
Telephone _____	Fax _____	E-mail _____	Web Address _____
Number of pumps in facility? _____		Number of Wilden pumps? _____	
Types of pumps in facility (check all that apply): <input type="checkbox"/> Diaphragm <input type="checkbox"/> Centrifugal <input type="checkbox"/> Gear <input type="checkbox"/> Submersible <input type="checkbox"/> Lobe			
<input type="checkbox"/> Other _____			
Media being pumped? _____			
How did you hear of Wilden Pump? <input type="checkbox"/> Trade Journal <input type="checkbox"/> Trade Show <input type="checkbox"/> Internet/E-mail <input type="checkbox"/> Distributor			
<input type="checkbox"/> Other _____			

ONCE COMPLETE, FAX TO (909) 783-3440

NOTE: WARRANTY VOID IF PAGE IS NOT FAXED TO WILDEN
WILDEN PUMP & ENGINEERING, LLC