

# T8

Original™ Series **METAL** Pumps

# EOM

Engineering  
Operation &  
Maintenance



Simplify your process

**TURBO-FLO™**  
PROGRESSIVE PUMP TECHNOLOGY

# WILDEN®

A **DOVER** COMPANY



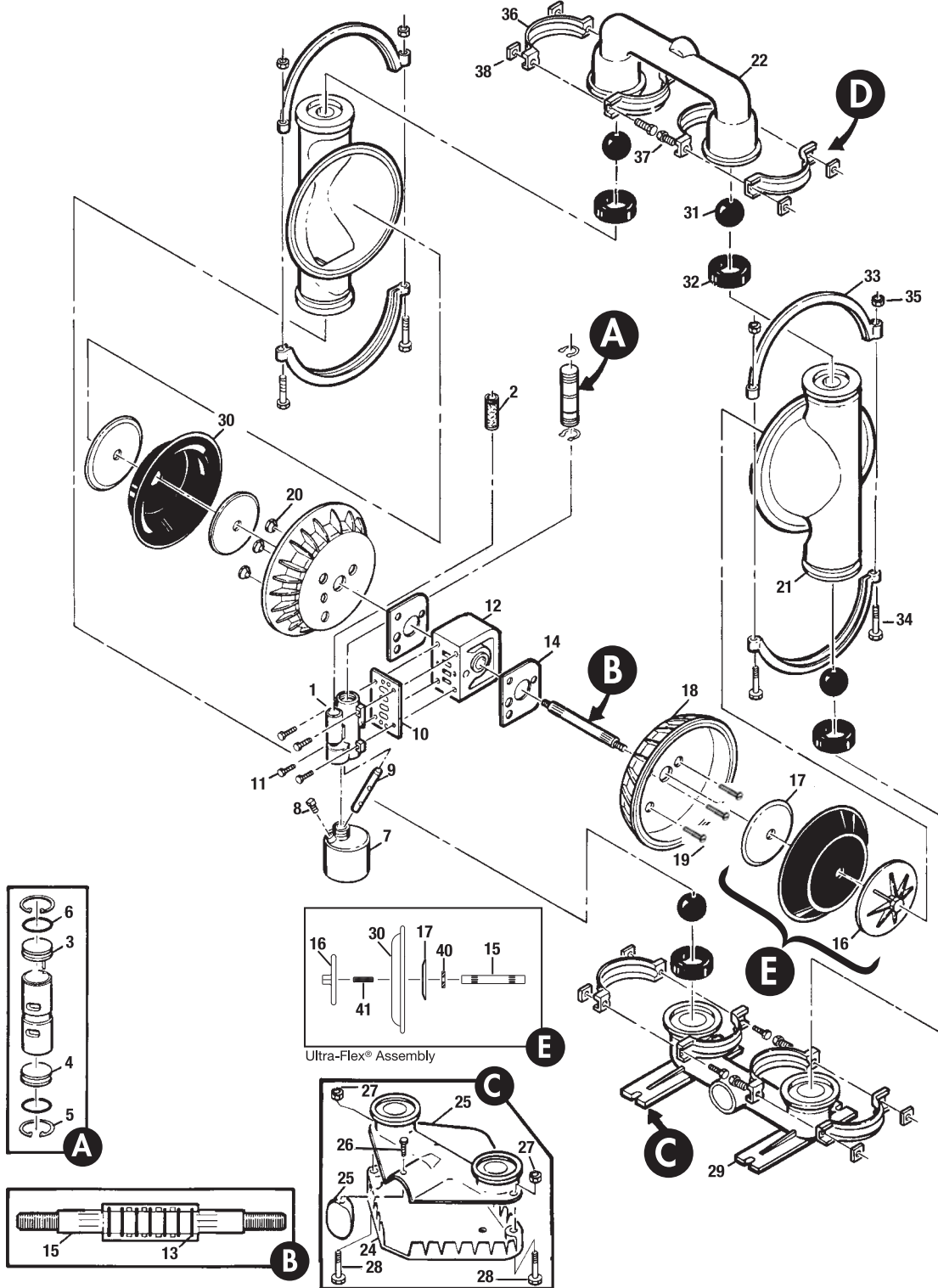
WIL-10272-E-01

**EXPLODED VIEW & PARTS LISTING**

**T8 METAL**

Rubber/TPE-Fitted

**EXPLODED VIEW**



**EXPLODED VIEW & PARTS LISTING**

**T8 METAL**

**Rubber/TPE-Fitted**

**PARTS LISTING**

Item	Part Description	Qty.	T8/AAAPB/0030 P/N	T8/AAAPB P/N	T8/AAAAB P/N
<b>1</b>	<b>Air Valve Assembly<sup>1</sup></b>	<b>1</b>	<b>08-2000-07</b>	<b>08-2000-07</b>	<b>08-2000-07</b>
2	Air Valve Screen	1	08-2500-07	08-2500-07	08-2500-07
3	Air Valve End Cap w/Guide (Top)	1	08-2300-23	08-2300-23	08-2300-23
4	Air Valve End Cap w/o Guide (Bottom)	1	08-2330-23	08-2330-23	08-2330-23
5	Air Valve Snap Ring	2	08-2650-03	08-2650-03	08-2650-03
6	Air Valve Cap O-Ring	2	08-2390-52	08-2390-52	08-2390-52
7	Oil Bottle (Optional) w/Air Valve 08-2050-07	1	08-2850-01	08-2850-01	08-2850-01
8	Plug (Optional)	1	08-7000-07	08-7000-07	08-7000-07
9	Capillary Rod (Optional)	1	08-2900-99	08-2900-99	08-2900-99
10	Air Valve Gasket — Buna-N	1	08-2600-52	08-2600-52	08-2600-52
11	Air Valve Screw 5/16"-18 x 2-1/4"	4	08-6000-08	08-6000-08	08-6000-08
12	Center Block	1	08-3100-20-225	08-3100-20-225	08-3100-01-225
<b>13</b>	<b>Center Block Glyd™ Ring</b>	<b>7</b>	<b>08-3210-55-225</b>	<b>08-3210-55-225</b>	<b>08-3210-55-225</b>
14	Block Gasket — Buna-N	2	08-3520-52	08-3520-52	08-3520-52
15	Shaft	1	08-3800-09-07	08-3800-09-07	08-3800-09-07
	Shaft, Ultra-Flex™	1	08-3820-09-07	08-3820-09-07	08-3820-09-07
16	Piston, Outer	2	08-4550-01	08-4550-01	08-4550-01
	Piston, Outer, Ultra-Flex™	2	04-4552-01	04-4552-01	04-4552-01
17	Piston, Inner	2	08-3700-01	08-3700-01	08-3700-01
	Piston, Inner, Ultra-Flex™	2	04-3700-08	04-3700-08	04-3700-08
18	Air Chamber, Counter Sunk	2	08-3650-01	08-3650-01	08-3650-01
19	Air Chamber Screw 3/8"-16 x 3-9/16"	3	08-6200-08	08-6200-08	08-6200-08
20	Air Chamber Cone Nut 3/8"-16	3	08-6550-08	08-6550-08	08-6550-08
21	Liquid Chamber	2	08-5000-01	08-5000-01	08-5000-01
22	Discharge Manifold	1	08-5020-01	08-5020-01	08-5020-01
23	Inlet Housing for Screened Base	1	08-5080-01-30	N/A	N/A
24	Screen Base for Item 24	1	08-5620-01	N/A	N/A
25	Suction Hook Up Cover for Item 24	1	08-5660-01	N/A	N/A
26	Cap Screw for Item 24 3/8"-16 x 7/8"	1	08-6140-08	N/A	N/A
27	Cap Screw Nut 3/8"-16	2	02-6430-03	N/A	N/A
28	Cap Screw 3/8"-16 x 3"	2	08-6120-08	N/A	N/A
29	Inlet Housing for Footed Base	1	N/A	08-5080-01	08-5080-01
<b>30</b>	<b>Diaphragm*</b>	<b>2</b>	<b>*</b>	<b>*</b>	<b>*</b>
<b>31</b>	<b>Valve Ball*</b>	<b>4</b>	<b>*</b>	<b>*</b>	<b>*</b>
<b>32</b>	<b>Valve Seat*</b>	<b>4</b>	<b>*</b>	<b>*</b>	<b>*</b>
33	Large Clamp Band Assy.	2	08-7300-08	08-7300-08	08-7300-08
34	Large Carriage Bolt 3/8"-16 x 3"	4	08-6120-08	08-6120-08	08-6120-08
35	Large Hex Nut 3/8"-16	4	08-6450-08	08-6450-08	08-6450-08
36	Small Clamp Band Assy.	4	08-7100-08	08-7100-08	08-7100-08
37	Small Hex Head Cap Screw 5/16"-18 x 1-3/8"	8	08-6050-08	08-6050-08	08-6050-08
38	Small Hex Nut 5/16"-18	8	04-6420-08	04-6420-08	04-6420-08
39	Muffler (not shown)	1	08-3510-99	08-3510-99	08-3510-99
40	Spacer, Ultra-Flex™	2	08-3860-08	08-3860-08	08-3860-08
41	Stud, Ultra-Flex™	1	08-6150-08	08-6150-08	08-6150-08

<sup>1</sup>Air Valve Assembly includes parts through 08-2390-52.

<sup>2</sup>T8 Stallion pumps utilize only four (4) of P/N's 08-6100-03 and 08-6408-08 on the bottom manifold and water chambers.

\*Refer to elastomer options in Section 9.

NOTE: BSP threads available.

**All boldface items are primary wear parts.**

0030 Specialty Code = Screen Base

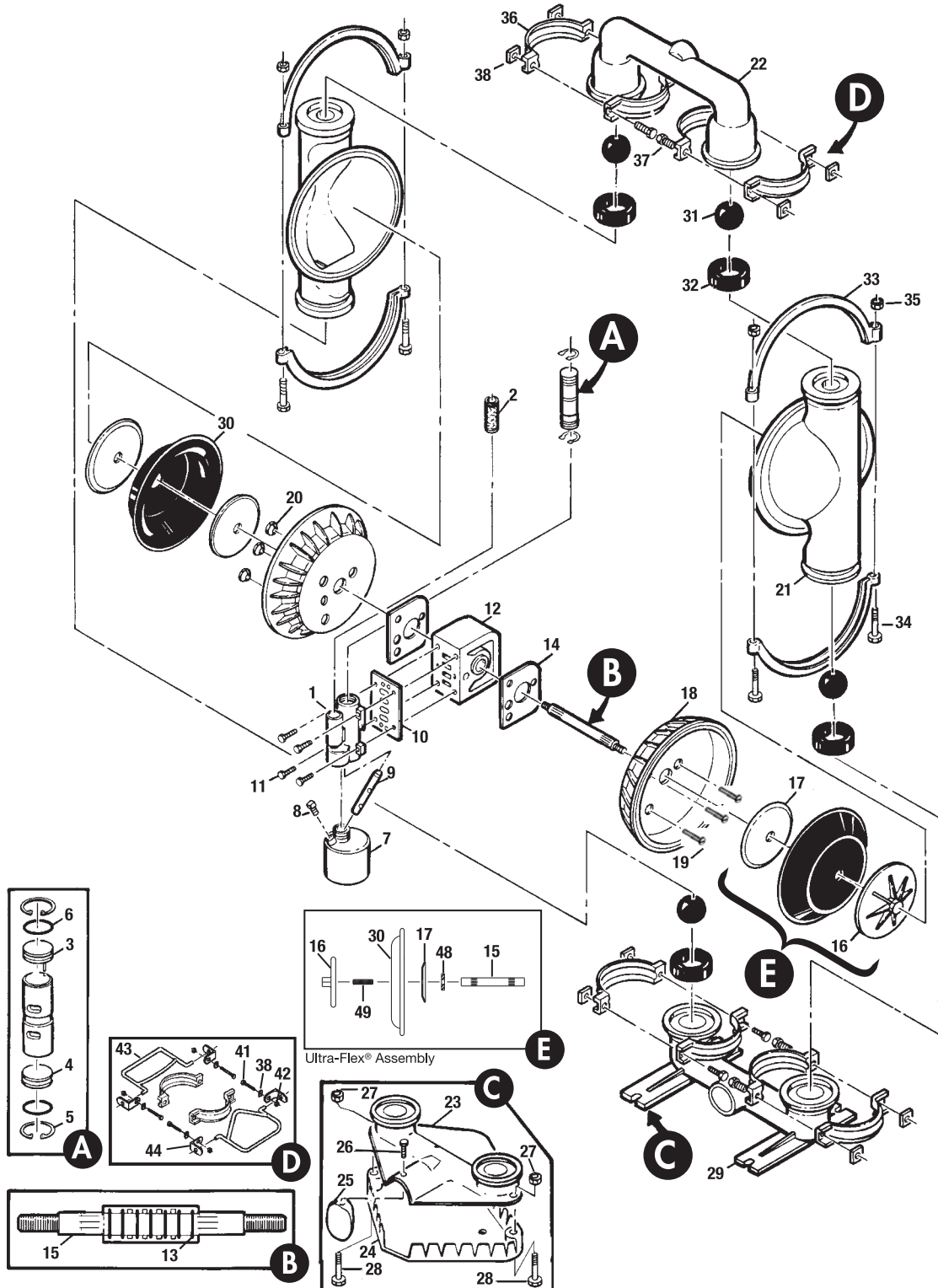
0050 Specialty Code = Stallion

**EXPLODED VIEW & PARTS LISTING (Cont'd)**

**T8 METAL**

Rubber/TPE-Fitted

**EXPLODED VIEW**



**EXPLODED VIEW & PARTS LISTING**

**T8 METAL**

**Rubber/TPE-Fitted**

**PARTS LISTING**

Item	Part Description	Qty.	T8/WSAPB P/N	T8/AAAAB/0050 P/N	T8/AAAAB/0050 P/N
<b>1</b>	<b>Air Valve Assembly<sup>1,2</sup></b>	<b>1</b>	<b>08-2000-07</b>	<b>08-2080-07</b>	<b>08-2080-07</b>
2	Air Valve Screen	1	08-2500-07	08-2500-07	08-2500-07
3	Air Valve End Cap w/Guide (Top)	1	08-2300-23	08-2300-23	08-2300-23
4	Air Valve End Cap w/o Guide (Bottom)	1	08-2330-23	08-2330-23	08-2330-23
5	Air Valve Snap Ring	2	08-2650-03	08-2650-03	08-2650-03
6	Air Valve Cap O-Ring	2	08-2390-52	08-2390-52	08-2390-52
7	Oil Bottle (Optional) <sup>2</sup>	1	08-2850-01	08-2850-01	08-2850-01
8	Plug (Optional) <sup>2</sup>	1	08-7000-07	08-7000-07	08-7000-07
9	Capillary Rod (Optional) <sup>2</sup>	1	08-2900-99	08-2900-99	08-2900-99
10	Air Valve Gasket — Buna-N	1	08-2600-52	08-2600-52	08-2600-52
11	Air Valve Screw 5/16"-18 x 2-1/4"	4	08-6000-08	08-6000-08	08-6000-08
12	Center Block	1	08-3100-20-225	08-3100-01-225	08-3100-01-225
<b>13</b>	<b>Center Block Glyd™ Ring</b>	<b>7</b>	<b>08-3210-55-225</b>	<b>08-3210-55-225</b>	<b>08-3210-55-225</b>
14	Block Gasket — Buna-N	2	08-3520-52	08-3520-52	08-3520-52
15	Shaft	1	08-3800-09-07	08-3800-09-65	N/A
	Shaft, Ultra-Flex™	1	08-3820-09-07	08-3820-09-07	08-3820-09-07
16	Piston, Outer	2	08-4550-02	08-4550-01	N/A
	Piston, Outer, Ultra-Flex™	2	08-4560-02	04-4552-01	04-4552-01
17	Piston, Inner	2	08-3700-01	08-3700-01	04-3700-08
	Piston, Inner, Ultra-Flex™	2	04-3700-08	04-3700-08	04-3700-08
18	Air Chamber, Counter Sunk	2	08-3650-01	08-3650-01	08-3650-01
19	Air Chamber Screw 3/8"-16 x 3-9/16"	3	08-6200-08	08-6200-08	08-6200-08
20	Air Chamber Cone Nut 3/8"-16	3	08-6550-08	08-6550-08	08-6550-08
21	Liquid Chamber	2	08-5000-02	08-5000-01	08-5000-01
22	Discharge Manifold	1	08-5020-02	08-5020-01	08-5020-01
23	Inlet Housing for Screened Base	1	N/A	08-5080-01-30	08-5080-01-30
24	Screen Base for Item 24	1	N/A	08-5620-62	08-5620-62
25	Suction Hook Up Cover for Item 24	1	N/A	08-5660-01	08-5660-01
26	Cap Screw for Item 24 & 26 3/8"-16 x 7/8"	1	N/A	08-6140-03	08-6140-03
27	Cap Screw Nut 3/8"-16	3	N/A	02-6430-03	02-6430-03
28	Cap Screw 3/8"-16 x 3"	3	N/A	08-6120-03	08-6120-03
29	Inlet Housing for Footed Base	1	08-5080-02	N/A	N/A
<b>30</b>	<b>Diaphragm*</b>	<b>2</b>	<b>*</b>	<b>*</b>	<b>**</b>
<b>31</b>	<b>Valve Ball*</b>	<b>4</b>	<b>*</b>	<b>*</b>	<b>**</b>
<b>32</b>	<b>Valve Seat*</b>	<b>4</b>	<b>*</b>	<b>*</b>	<b>**</b>
33	Large Clamp Band Assy.	2	08-7300-08	08-7300-08	08-7300-08S
34	Large Carriage Bolt 3/8"-16 x 3"	4	08-6120-08	08-6120-08	08-6120-08
35	Large Hex Nut 3/8"-16	4	08-6450-08	08-6450-08	08-6450-08
36	Small Clamp Band Assy.	4	08-7100-08	08-7100-08	08-7100-08S
37	Small Hex Head Cap Screw 5/16"-18 x 1-3/8"	8	08-6050-08	08-6050-08	08-6050-08
38	Small Hex Nut 5/16"-18 <sup>2</sup>	8	04-6420-08	04-6420-08	04-6420-08
39	Muffler (not shown)	1	08-3510-99	08-3510-99	08-3510-99
40	Bumper Pad, Nylon (Not shown)	2	N/A	08-6900-23-50	08-6900-23-50
41	Screw, HHC, 5/16"-18 x 2	4	N/R	08-6050-08-50	08-6050-08-50
42	Nut, Hex, 5/16"-18	4	N/R	04-6420-08	04-6420-08
43	Handle, Collapsible <sup>3</sup>	2	N/R	08-7250-08	08-7250-08
44	Bracket, Handle	4	N/R	08-7410-08	08-7410-08
45	Check Body (Not shown)	1	N/R	08-3550-01	08-3550-01
46	Check Ball (Not shown)	1	N/R	08-1450-51	08-1450-51
47	Pipe Nipple, Check Body (Not shown)	1	N/R	08-7420-08	08-7420-08
48	Spacer, Ultra-Flex™	2	08-3860-08	08-3860-08	08-3860-08
49	Stud, Ultra-Flex™	1	08-6150-08	N/A	08-6150-08

<sup>1</sup>Air Valve Assembly includes parts through 08-2390-52.

<sup>2</sup>T8 Stallion pumps utilize only four (4) of P/N's 08-6100-03 and 08-6408-08 on the bottom manifold and water chambers.

<sup>3</sup>DO NOT hang Stallion pumps by their handles.

\*\*Refer to elastomer options in Section 9.

\*\*Refer to Stallion elastomer options in Section 9.

NOTE: BSP threads available.

**All boldface items are primary wear parts.**

0030 Specialty Code = Screen Base

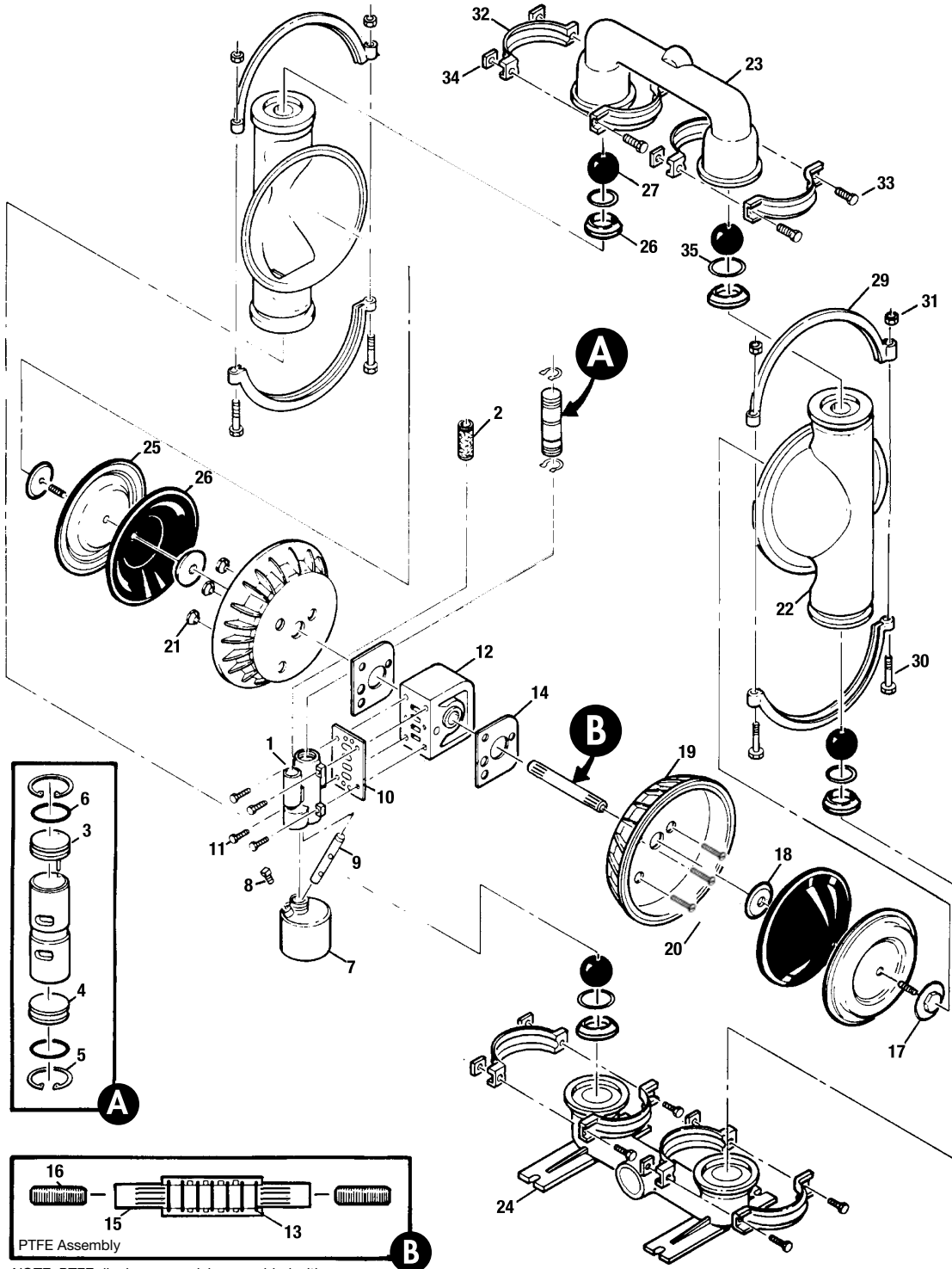
0050 Specialty Code = Stallion

**EXPLODED VIEW & PARTS LISTING**

**T8 METAL**

PTFE-Fitted

**EXPLODED VIEW**



NOTE: PTFE diaphragm models assembled with PTFE gasket kit at factory (not shown).

**EXPLODED VIEW & PARTS LISTING**

**T8 METAL**

**PTFE-Fitted**

**PARTS LISTING**

Item	Part Description	Qty.	T8/AAAPB/ P/N	T8/AAAAB P/N
1	<b>Air Valve Assembly<sup>1</sup></b>	1	<b>08-2000-07</b>	<b>08-2000-07</b>
2	Air Valve Screen	1	08-2500-07	08-2500-07
3	Air Valve End Cap w/Guide (Top)	1	08-2300-23	08-2300-23
4	Air Valve End Cap w/o Guide (Bottom)	1	08-2330-23	08-2330-23
5	Air Valve Snap Ring	2	08-2650-03	08-2650-03
6	Air Valve Cap O-Ring	2	08-2390-52	08-2390-52
7	Oil Bottle (Optional)	1	08-2850-01	08-2850-01
8	Plug (Optional)	1	08-7000-07	08-7000-07
9	Capillary Rod (Optional)	1	08-2900-99	08-2900-99
10	Air Valve Gasket — Buna-N	1	08-2600-52	08-2600-52
11	Air Valve Screw 5/16" -18 x 2-1/4"	4	08-6000-08	08-6000-08
12	Center Block	1	08-3100-20-225	08-3100-01-225
13	<b>Center Block Glyd™ Ring</b>	7	<b>08-3210-55-225</b>	<b>08-3210-55-225</b>
14	Block Gasket — Buna-N	2	08-3520-52	08-3520-52
15	Shaft	1	08-3820-09-07	08-3820-09-07
16	Shaft Stud 1/2"-20 x 1-7/8"	2	08-6152-08	08-6152-08
17	Piston, Outer	2	08-4600-01	08-4600-01
18	Piston, Inner	2	08-3750-01	08-3750-01
19	Air Chamber, Counter Sunk	2	08-3650-01	08-3650-01
20	Air Chamber Screw 3/8"-16 x 3-9/16"	3	08-6200-08	08-6200-08
21	Air Chamber Nut 3/8"-16	3	08-6550-08	08-6550-08
22	Water Chamber	2	08-5000-01	08-5000-01
23	Discharge Manifold	1	08-5020-01	08-5020-01
24	Inlet Housing, Footed	1	08-5080-01	08-5080-01
25	<b>Diaphragm<sup>2</sup></b>	2	<b>08-1010-55</b>	<b>08-1010-55</b>
26	<b>Diaphragm — Back-up<sup>3</sup></b>	2	<b>08-1060-51</b>	<b>08-1060-51</b>
27	<b>Valve Ball<sup>2</sup></b>	4	<b>08-1080-55</b>	<b>08-1080-55</b>
28	<b>Valve Seat<sup>2</sup></b>	4	<b>08-1121-01</b>	<b>08-1121-01</b>
29	Large Clamp Band Assy.	2	08-7300-03	08-7300-03
30	Large Carriage Bol 3/8" -16 x 3"	4	08-6120-03	08-6120-03
31	Large Hex Nut 3/8"-16	4	08-6450-03	08-6450-03
32	Small Clamp Band Assy.	4	08-7100-03	08-7100-03
33	Small Hex Head Cap Screw 5/16" -18 x 1-3/8"	8	08-6050-03	08-6050-03
34	Small Hex Nut 5/16"-18	8	08-6400-03	08-6400-03
35	<b>Teflon® Valve Seat O-Ring<sup>4</sup></b>	4	<b>08-1200-55</b>	<b>08-1200-55</b>
	Muffler (not shown)	1	08-3510-99	08-3510-99

Item	Part Description	Qty.	T8/SSAPB P/N	T8/WAAPB P/N
1	<b>Air Valve Assembly<sup>1</sup></b>	1	<b>08-2000-07</b>	<b>08-2000-07</b>
2	Air Valve Screen	1	08-2500-07	08-2500-07
3	Air Valve End Cap w/Guide (Top)	1	08-2300-23	08-2300-23
4	Air Valve End Cap w/o Guide (Bottom)	1	08-2330-23	08-2330-23
5	Air Valve Snap Ring	2	08-2650-03	v08-2650-03
6	Air Valve Cap O-Ring	2	08-2390-52	08-2390-52
7	Oil Bottle (Optional)	1	08-2850-01	08-2850-01
8	Plug (Optional)	1	08-7000-07	08-7000-07
9	Capillary Rod (Optional)	1	08-2900-99	08-2900-99
10	Air Valve Gasket — Buna-N	1	08-2600-52	08-2600-52
11	Air Valve Screw 5/16" -18 x 2-1/4"	4	08-6000-03	08-6000-08
12	Center Block	1	08-3100-20-225	08-3100-20-225
13	<b>Center Block Glyd™ Ring</b>	7	<b>08-3210-55-225</b>	<b>08-3210-55-225</b>
14	Block Gasket — Buna-N	2	08-3520-52	08-3520-52
15	Shaft	1	08-3820-09-07	08-3820-09-07
16	Shaft Stud 1/2"-20 x 1-7/8"	2	08-6152-08	08-6152-08
17	Piston, Outer	2	08-4600-03	08-4600-03
18	Piston, Inner	2	08-3750-01	08-3750-01
19	Air Chamber, Counter Sunk	2	08-3650-01	08-3650-01
20	Air Chamber Screw 3/8"-16 x 3-9/16"	3	08-6200-08	08-6200-08
21	Air Chamber Nut 3/8"-16	3	08-6550-08	08-6550-08
22	Water Chamber	2	08-5000-03	08-5000-02
23	Discharge Manifold	1	08-5020-03	08-5020-02
24	Inlet Housing, Footed	1	08-5080-03	08-5080-02
25	<b>Diaphragm<sup>2</sup></b>	2	<b>08-1010-55</b>	<b>08-1010-55</b>
26	<b>Diaphragm — Back-up<sup>3</sup></b>	2	<b>08-1060-51</b>	<b>08-1060-51</b>
27	<b>Valve Ball<sup>2</sup></b>	4	<b>08-1080-55</b>	<b>08-1080-55</b>
28	<b>Valve Seat<sup>2</sup></b>	4	<b>08-1121-03</b>	<b>08-1121-08</b>
29	Large Clamp Band Assy.	2	08-7300-03	08-7300-03
30	Large Carriage Bol 3/8" -16 x 3"	4	08-6120-03	08-6120-03
31	Large Hex Nut 3/8"-16	4	08-6450-03	08-6450-03
32	Small Clamp Band Assy.	4	08-7100-03	08-7100-03
33	Small Hex Head Cap Screw 5/16" -18 x 1-3/8"	8	08-6050-03	08-6050-03
34	Small Hex Nut 5/16"-18	8	08-6400-03	08-6400-03
35	<b>PTFE Valve Seat O-Ring<sup>4</sup></b>	4	<b>08-1200-55</b>	<b>08-1200-55</b>
	Muffler (not shown)	1	08-3510-99	08-3510-99

<sup>1</sup>Air Valve Assembly includes item numbers 2 through 6.

<sup>2</sup>Refer to corresponding elastomer options in Section 9.

<sup>3</sup>Saniflex™ back-up diaphragms, P/N 08-1060-56, are available upon request. Please consult your local distributor.

<sup>4</sup>Fluoro-Seal™ o-rings, P/N 08-1200-34, are available upon request. See elastomer chart options in Section 9.

NOTE: BSP threads available.

All boldface items are primary wear parts.

## ELASTOMER OPTIONS

### T8 Metal

MATERIAL	DIAPHRAGMS (2) P/N	ULTRA-FLEX™* DIAPHRAGMS (2) P/N	VALVE BALLS (4) P/N	VALVE SEATS (4) P/N	VALVE SEAT <sup>3</sup> O-RINGS (4) P/N
Polyurethane	08-1010-50	N/A	08-1080-50	08-1120-50	N/A
Neoprene	08-1010-51	08-1020-51	08-1080-51	08-1120-51	N/A
Buna-N	08-1010-52	08-1020-52	08-1080-52	08-1120-52	N/A
EPDM	08-1010-54	08-1020-54	08-1080-54	08-1120-54	N/A
Viton®	08-1010-53	08-1020-53	08-1080-53	08-1120-53	N/A
Saniflex™	08-1010-56	N/A	08-1080-56	08-1120-56	08-1200-56
PTFE	08-1010-55	N/A	08-1080-55	N/A	08-1200-55 <sup>2</sup>
Tetra-Flex™ PTFE	08-1010-64	N/A	N/A	N/A	N/A
Neoprene Backup <sup>2</sup>	08-1060-51 <sup>1</sup>	N/A	N/A	N/A	N/A
Wil-Flex™	08-1010-58	N/A	08-1080-58	08-1120-58	N/A
Fluoro-Seal™	N/A	N/A	N/A	N/A	08-1200-34 <sup>2</sup>
Aluminum	N/A	N/A	N/A	08-1121-01	N/A
Stainless Steel	N/A	N/A	N/A	08-1121-03	N/A
Alloy C	N/A	N/A	N/A	08-1121-04	N/A
Mild Steel	N/A	N/A	N/A	08-1121-08	N/A

<sup>1</sup>Use Neoprene backup diaphragms with PTFE diaphragms only.

<sup>2</sup>Utilized in conjunction with metallic seat.

<sup>3</sup>Rubber valve seats do not require an o-ring.

### T8 Metal Stallion

MATERIAL	DIAPHRAGMS (2) P/N	VALVE BALLS (4) P/N	VALVE SEATS (4) P/N
Polyurethane	08-1010-50	08-1080-62-50	08-1120-62-50
Wil-Flex™	08-1010-58	08-1080-58-50	08-1120-58-50
Saniflex™	08-1010-56	08-1080-56-50	08-1120-56-50
Neoprene	08-1010-51	08-1080-51-50	08-1120-51-50
Buna-N	08-1010-52	08-1080-52-50	08-1120-52-50
Viton®	08-1020-53	08-1080-53-50	08-1120-53-50
EPDM	08-1020-54	08-1080-54-50	08-1120-54-50