

# SENTRY CIP<sup>TM</sup>

## SANITARY FLOW THROUGH DAMPENER

THE CLEAN ALTERNATIVE FOR PULSATION DAMPENING.



### FEATURES & BENEFITS:

- Unique seamless dampener design for in-line sanitary applications.
- Reduces cleaning time and costs - allows for automated cleaning of the system without disassembly.
- Improves product quality, recovery and purity due to enhanced system hygiene.
- Discharge pulsation dampener for use with AODD pumps up to 2" and peristaltic/hose pumps up to 1".
- Optional end cap for mounting in vertical position.
- 316L polished stainless steel single body construction with 2.5" Tri-Clamp fasteners.
- 275 cubic inch with maximum pressure rating to 150 psi (10.3 bar).
- Molded tube bladder available in USP Class VI pharma-grade silicone and food-grade EPDM.

### ABOUT SENTRY CIP

Specifically designed for hygienic applications requiring clean-in-place components, the SENTRY CIP in-line flow through design and unique patent pending tube bladder eliminate problems with product holdup and trapped particles. Ideally suited for handling slurries and viscous fluids, it's gentle enough for the most delicate products.



Polished 316L stainless steel for sanitary applications.



In-line, flow through design eliminates product holdup.

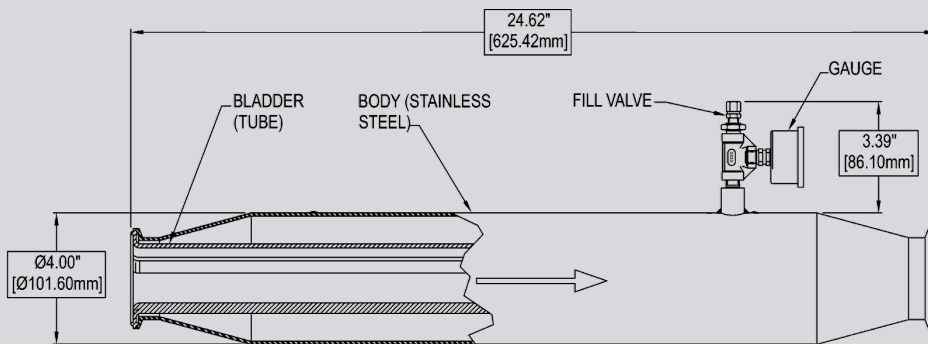
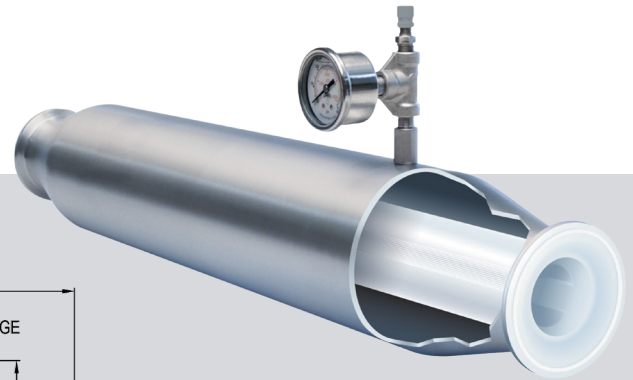
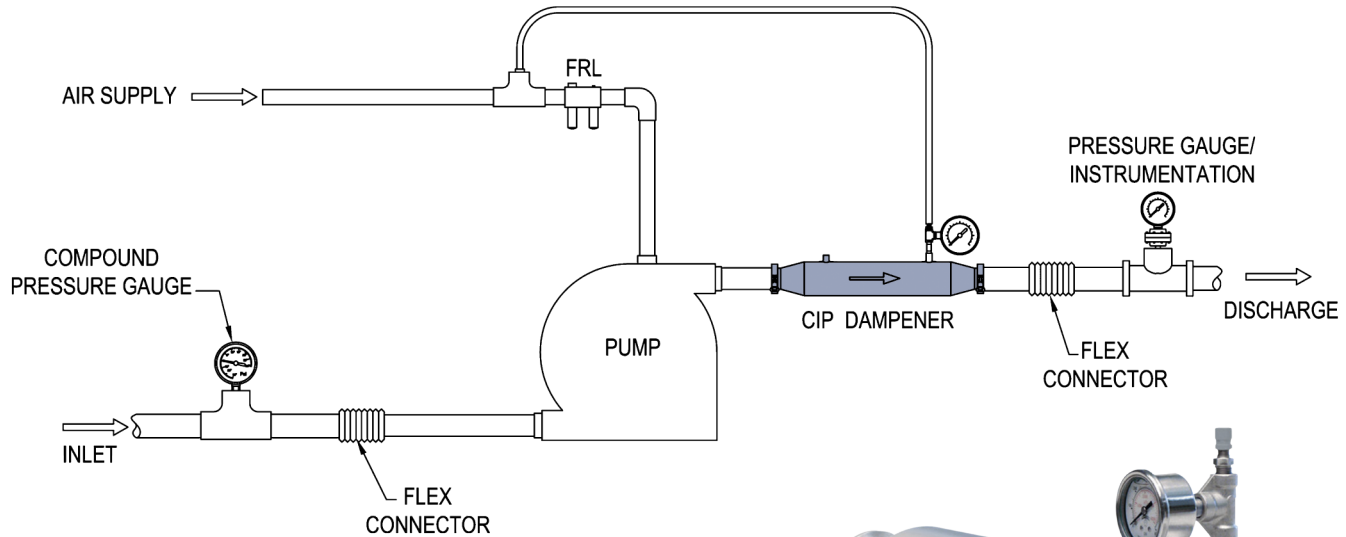


Self-draining single body construction for easy clean-in-place.



Internal molded ribs prevent bladder collapse under pressure, replacing other designs with perforated tubes that collect and trap particles.

# SENTRY CIP FLOW THROUGH



## TECHNICAL SPECIFICATIONS

- Body Material: 316L polished stainless steel
- Inlet Type: 2.5" Tri-Clamp fasteners
- Volume: 275 cubic inch
- Air Control Types: Adjustable or Chargeable
- Pressure rating up to 150 psi (10.3 bar)
- Bladder Material: USP Class VI Pharma-Grade Silicone or Food-Grade EPDM
- Molded ends connect directly to pipe and seal with Tri-Clamp fasteners without separate gaskets
- Install in-line as close to pump discharge as possible to absorb the pulse at the source

Part of the  
**BLACOH™**  
 FLUID CONTROL  
 family of products

